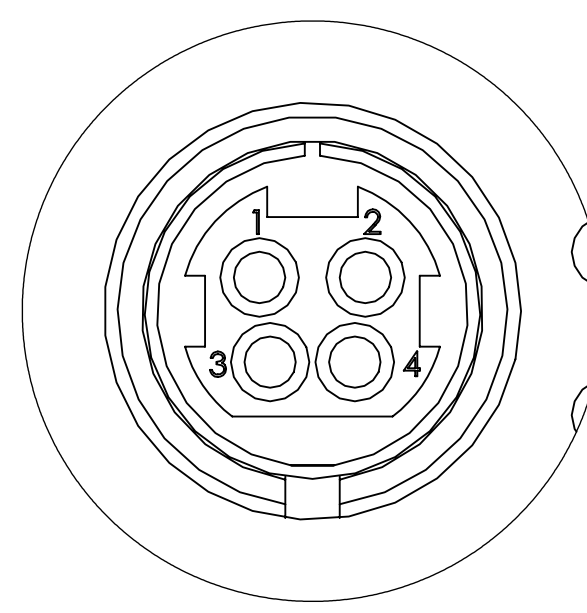
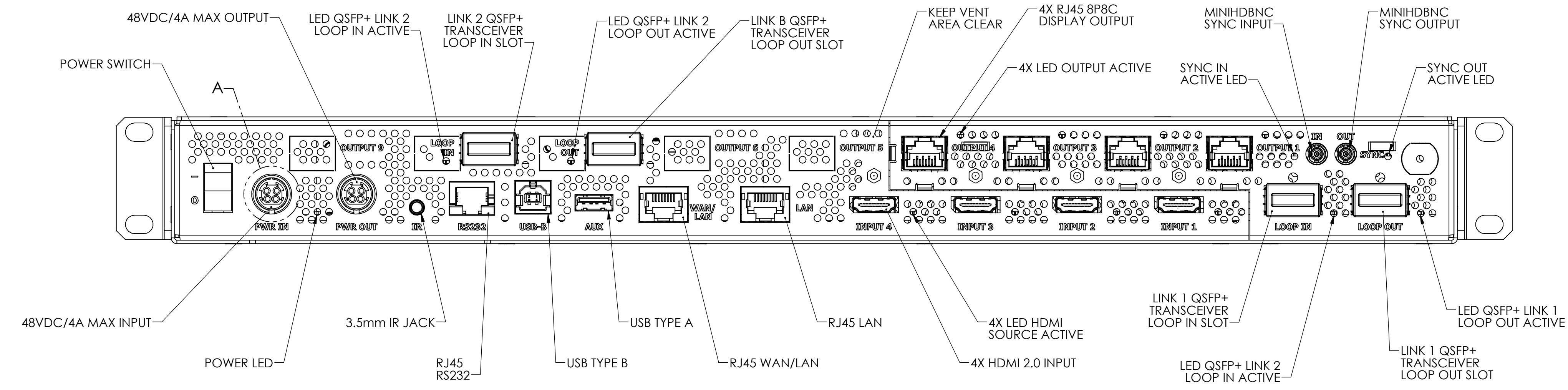
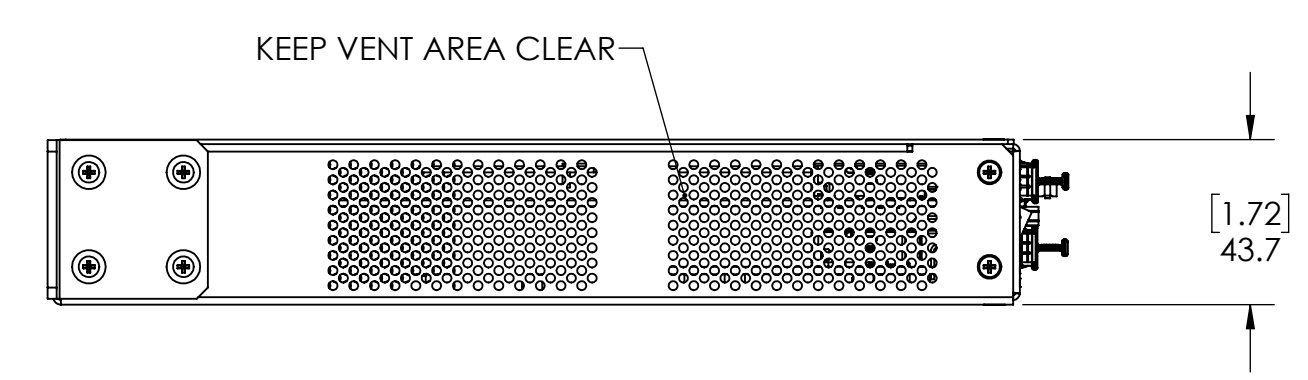
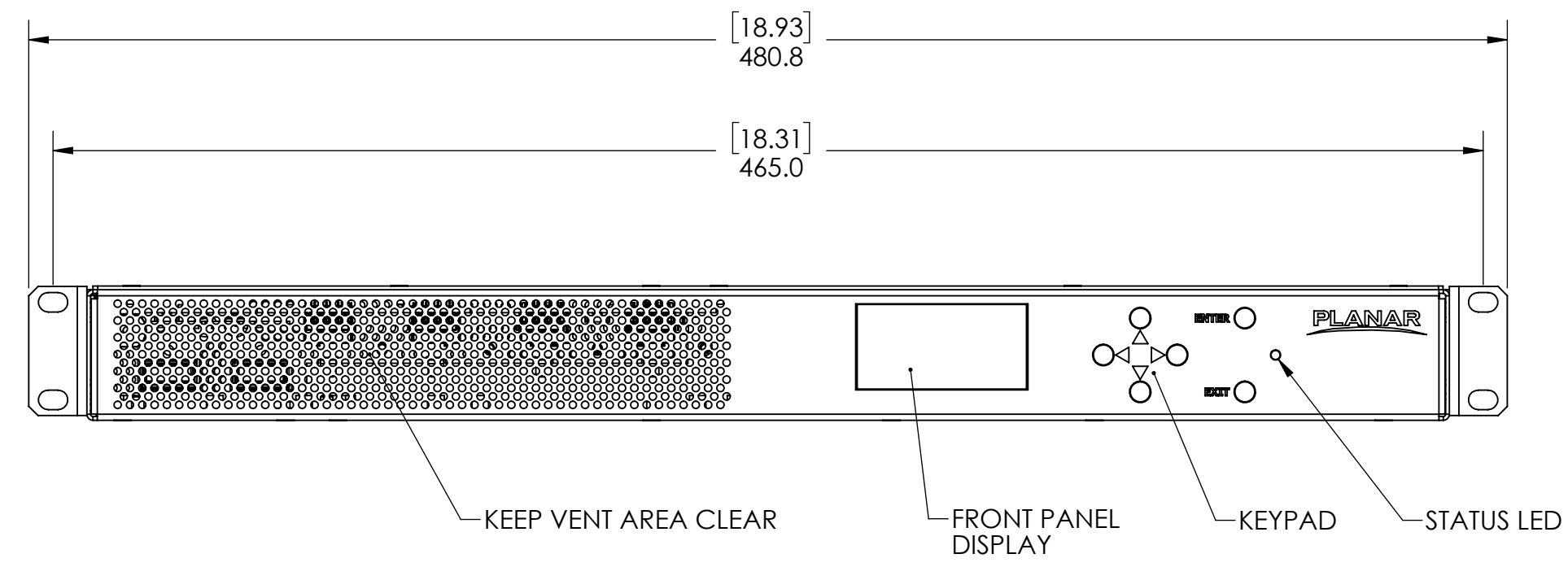
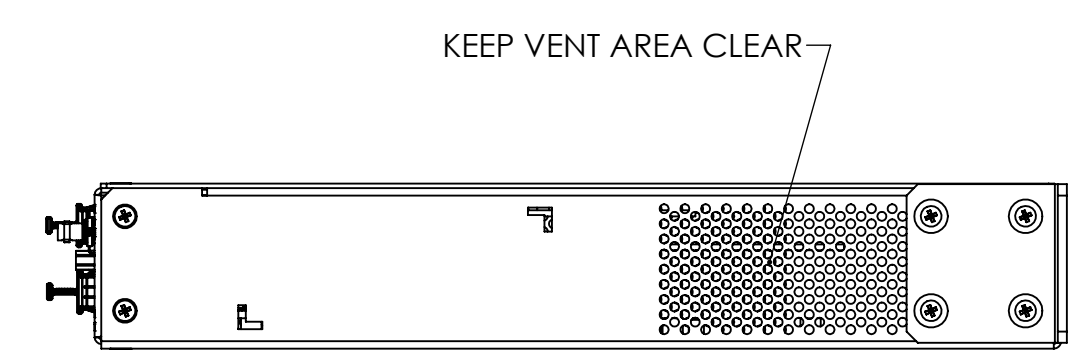
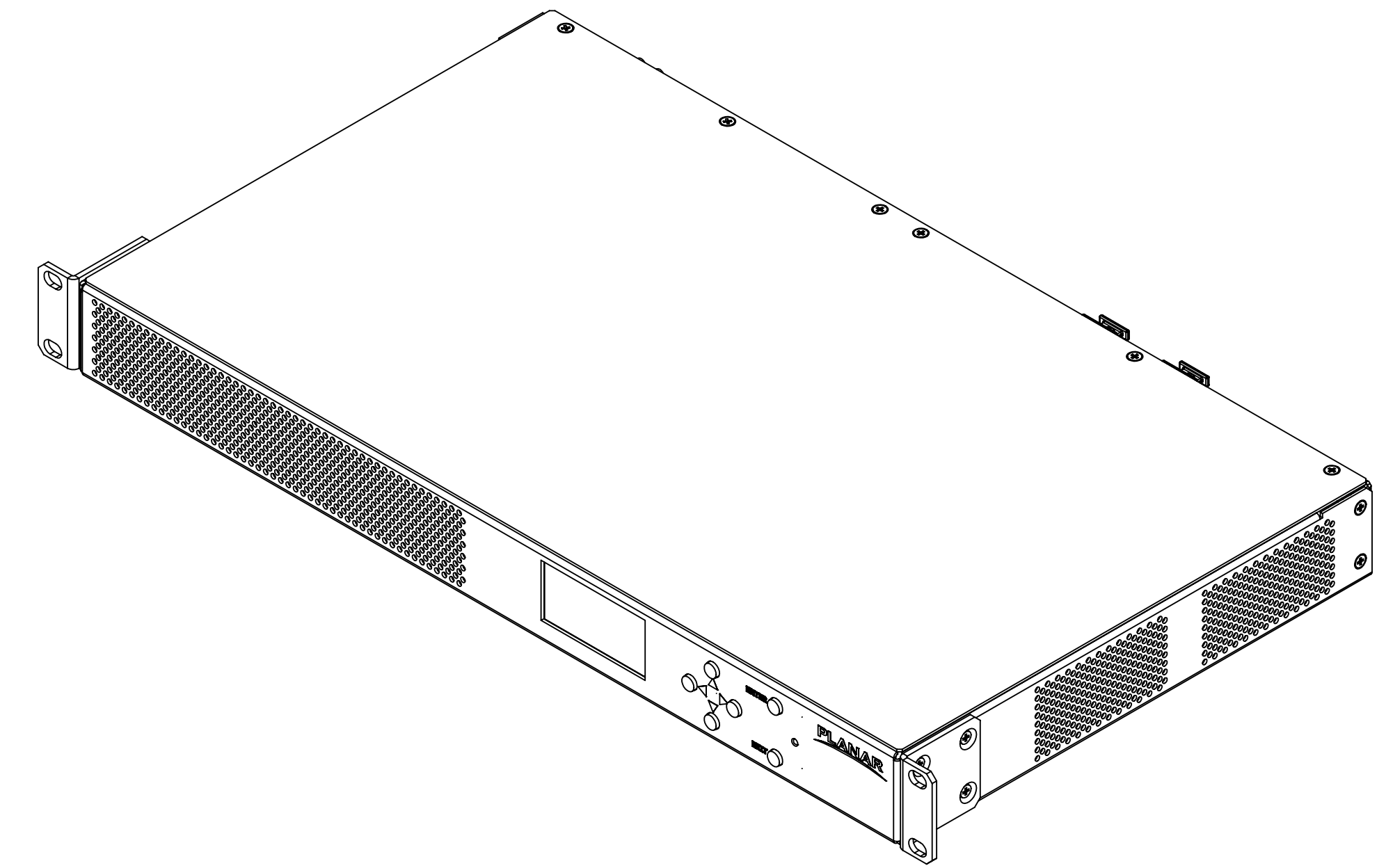
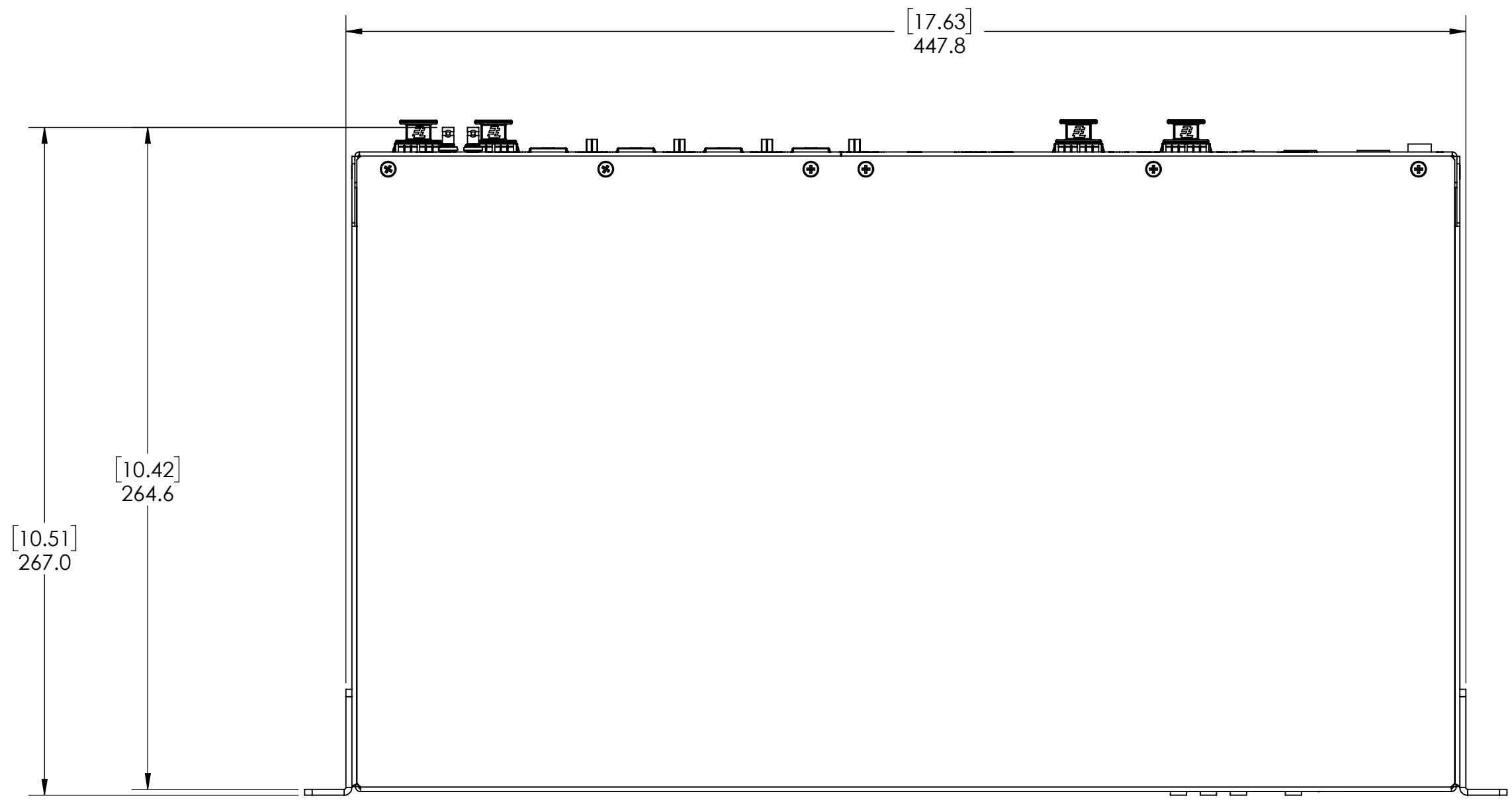


REVISION HISTORY					
ECO	ZONE	REV.	DESCRIPTION	DATE	APPR'D



DETAIL A
SCALE 4 : 1



- DEPTH DIMENSION NOT INCLUDING CABLES
 - REMOVE DUST COVERS PRIOR TO QSFP+ CABLE INSERTION.
 - 4-PIN MINIDIN POWER 48V/4A MAX. PINS 1 AND 2 ARE + (POSITIVE); PINS 3 AND 4 ARE - (GROUND).
 - SPECIFICATIONS SUBJECT TO CHANGE WITHOUT NOTICE.
- NOTES: UNLESS OTHERWISE SPECIFIED.

UNLESS OTHERWISE SPECIFIED, DIMENSIONS ARE IN MILLIMETERS (INCHES)		ENGR BY	PLANAR SYSTEMS, INC.																
TOLERANCES:		DRAWN BY	1195 NE COMPTON DRIVE																
X= ±1	XX= ±25	CHECKED BY	HILLSBORO, OR 97006 USA																
.X= ±.5	∠= ±1°	USED ON																	
DIMENSIONING AND TOLERANCING PER ASME Y14.5M-1994		MATERIAL																	
THIRD ANGLE PROJECTION		FINISH																	
THIS DRAWING CONTAINS INFORMATION PROPRIETARY TO PLANAR SYSTEMS, INC. ANY REPRODUCTION IN PART OR WHOLE WITHOUT THE WRITTEN PERMISSION OF PLANAR SYSTEMS IS PROHIBITED. THIS DRAWING IS SUPPLIED FOR INFORMATION, IDENTIFICATION, ENGINEERING, EVALUATION, AND/OR INSPECTION PURPOSES ONLY AND MAY NOT BE USED AS BASIS FOR THE MANUFACTURING OF PRODUCTS OR THE FURNISHING OF SERVICES TO PLANAR SYSTEMS OR TO ANY THIRD PARTY UNLESS AUTHORIZED IN WRITING BY PLANAR SYSTEMS.		<table border="1"> <tr> <td>DATE</td> <td>14JUL21</td> </tr> <tr> <td>TITLE</td> <td>VIDEO CONTROLLER, HDMI/HIGH SPEED LOOP, 4 CAT6A OUT</td> </tr> <tr> <td>SIZE</td> <td>D</td> </tr> <tr> <td>PART NO</td> <td>VC4-HSL</td> </tr> <tr> <td>DRAWING NO</td> <td>VC4-HSL Outline</td> </tr> <tr> <td>REV</td> <td>A</td> </tr> <tr> <td>SCALE</td> <td>1:2</td> </tr> <tr> <td>DO NOT SCALE</td> <td>SHEET 1 OF 1</td> </tr> </table>		DATE	14JUL21	TITLE	VIDEO CONTROLLER, HDMI/HIGH SPEED LOOP, 4 CAT6A OUT	SIZE	D	PART NO	VC4-HSL	DRAWING NO	VC4-HSL Outline	REV	A	SCALE	1:2	DO NOT SCALE	SHEET 1 OF 1
DATE	14JUL21																		
TITLE	VIDEO CONTROLLER, HDMI/HIGH SPEED LOOP, 4 CAT6A OUT																		
SIZE	D																		
PART NO	VC4-HSL																		
DRAWING NO	VC4-HSL Outline																		
REV	A																		
SCALE	1:2																		
DO NOT SCALE	SHEET 1 OF 1																		