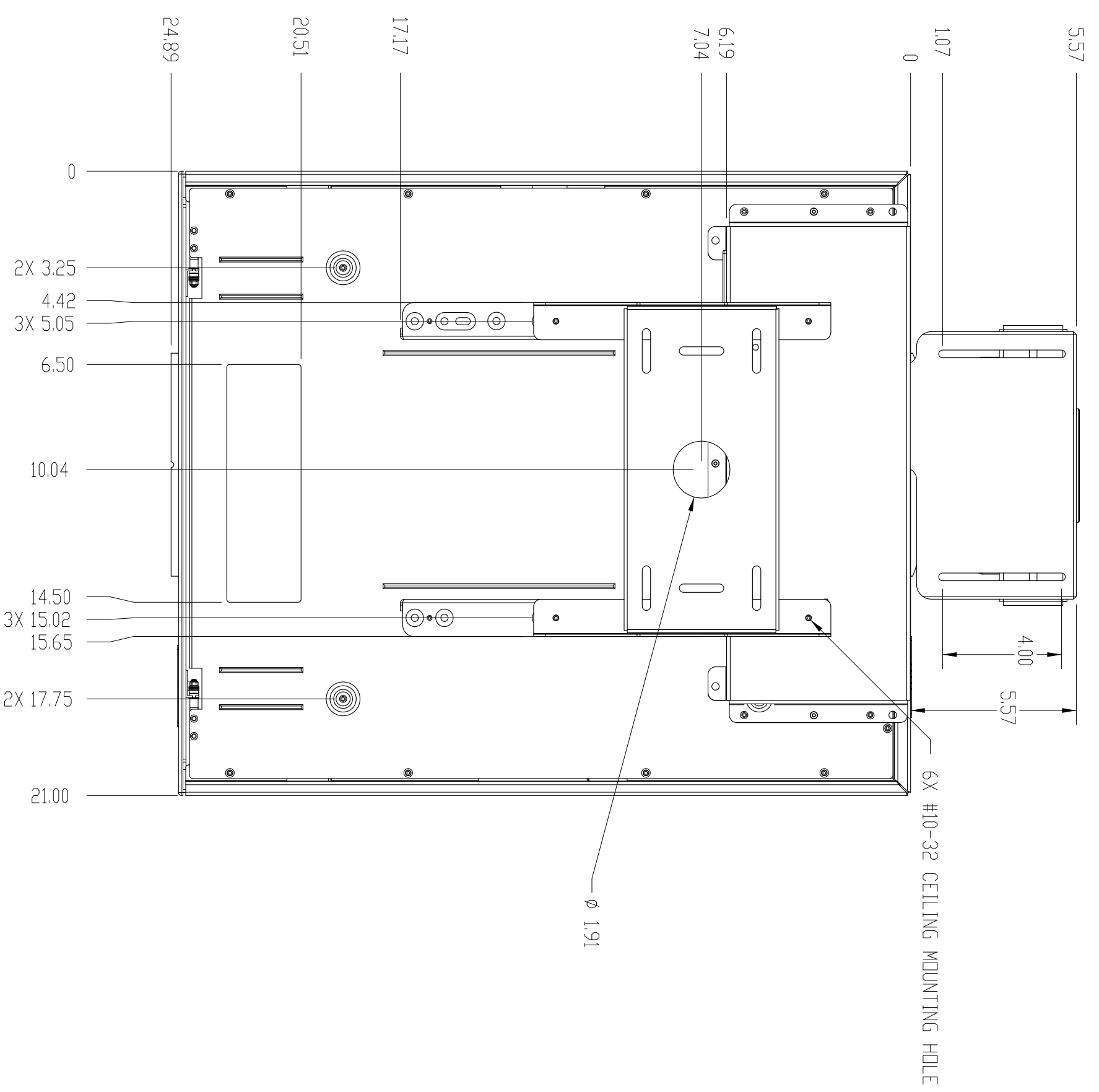
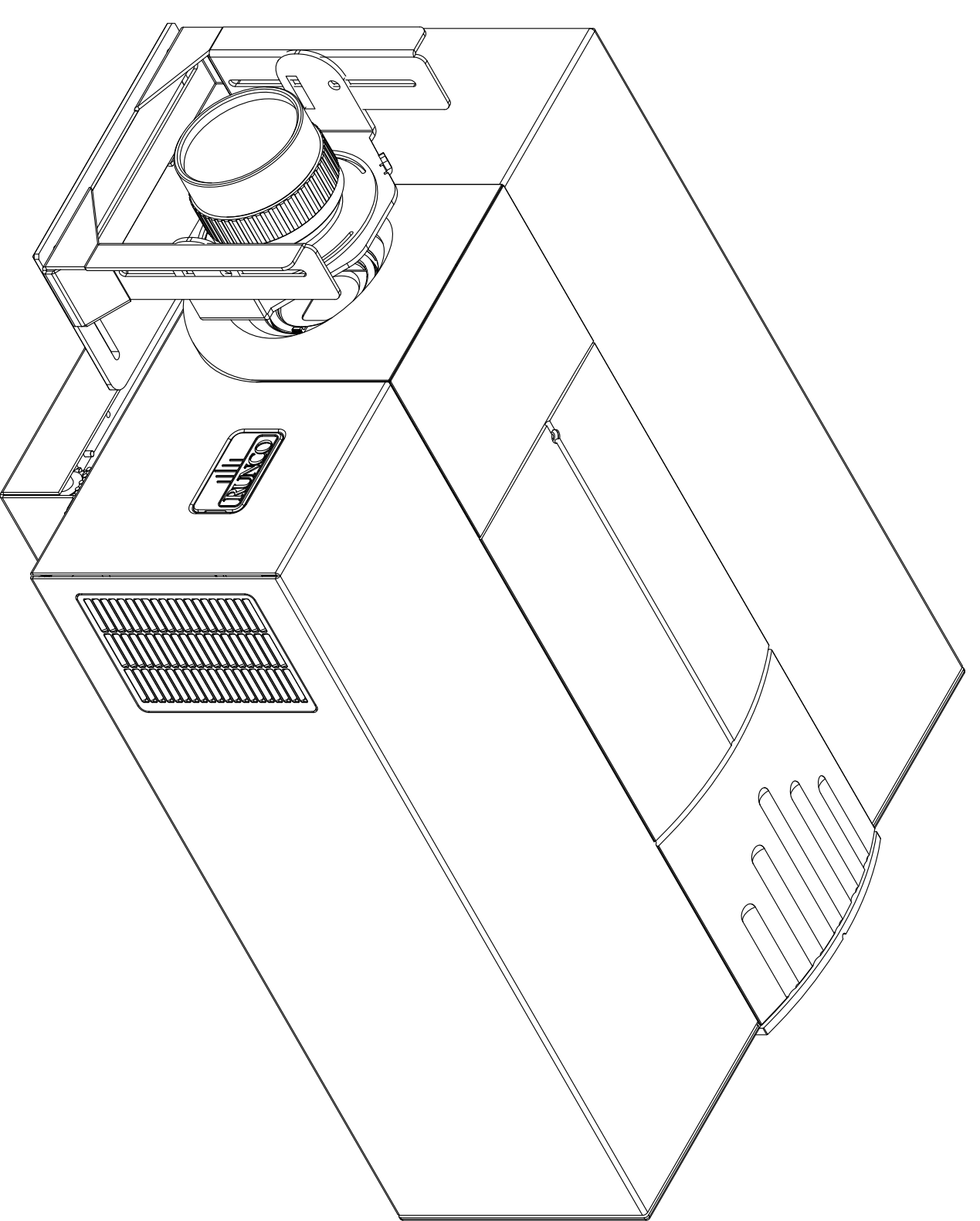
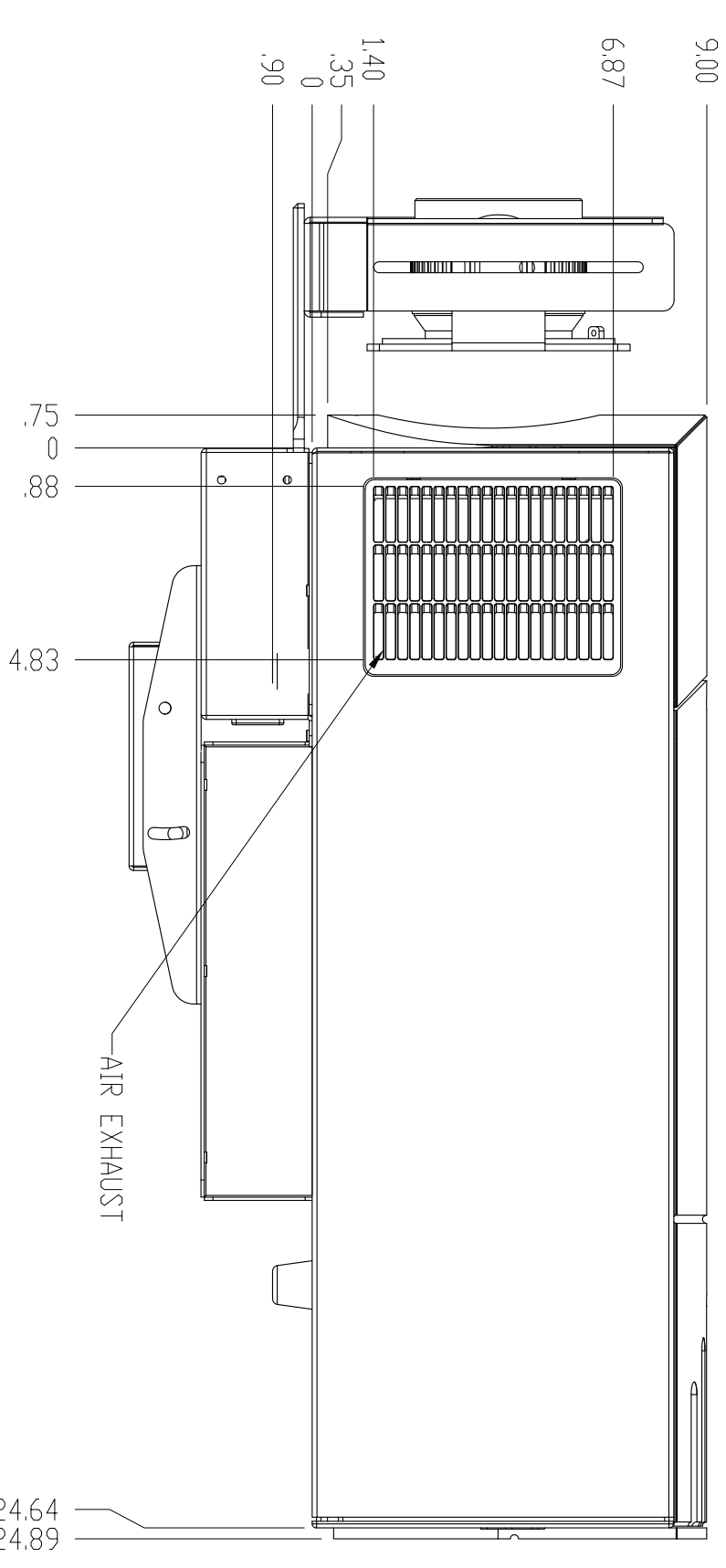
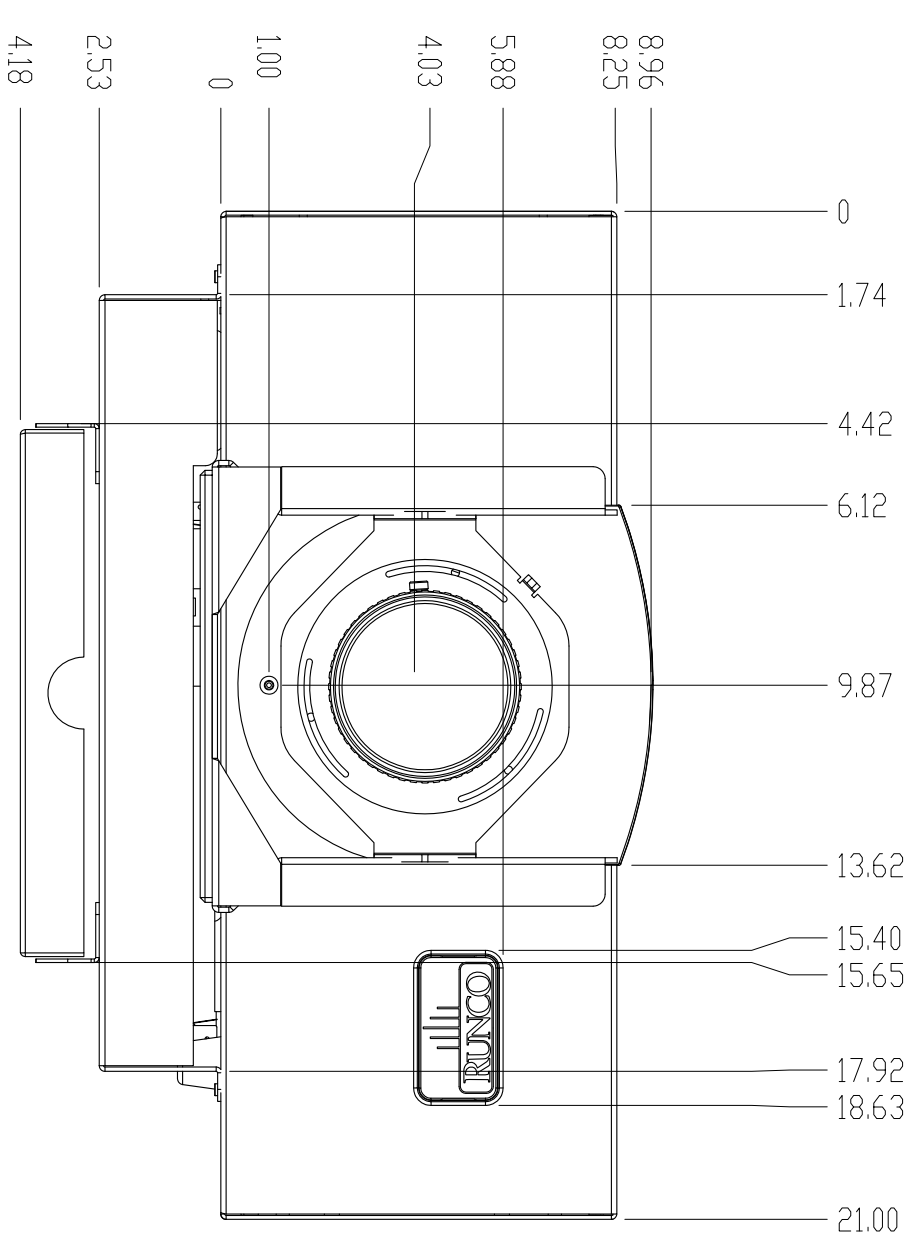
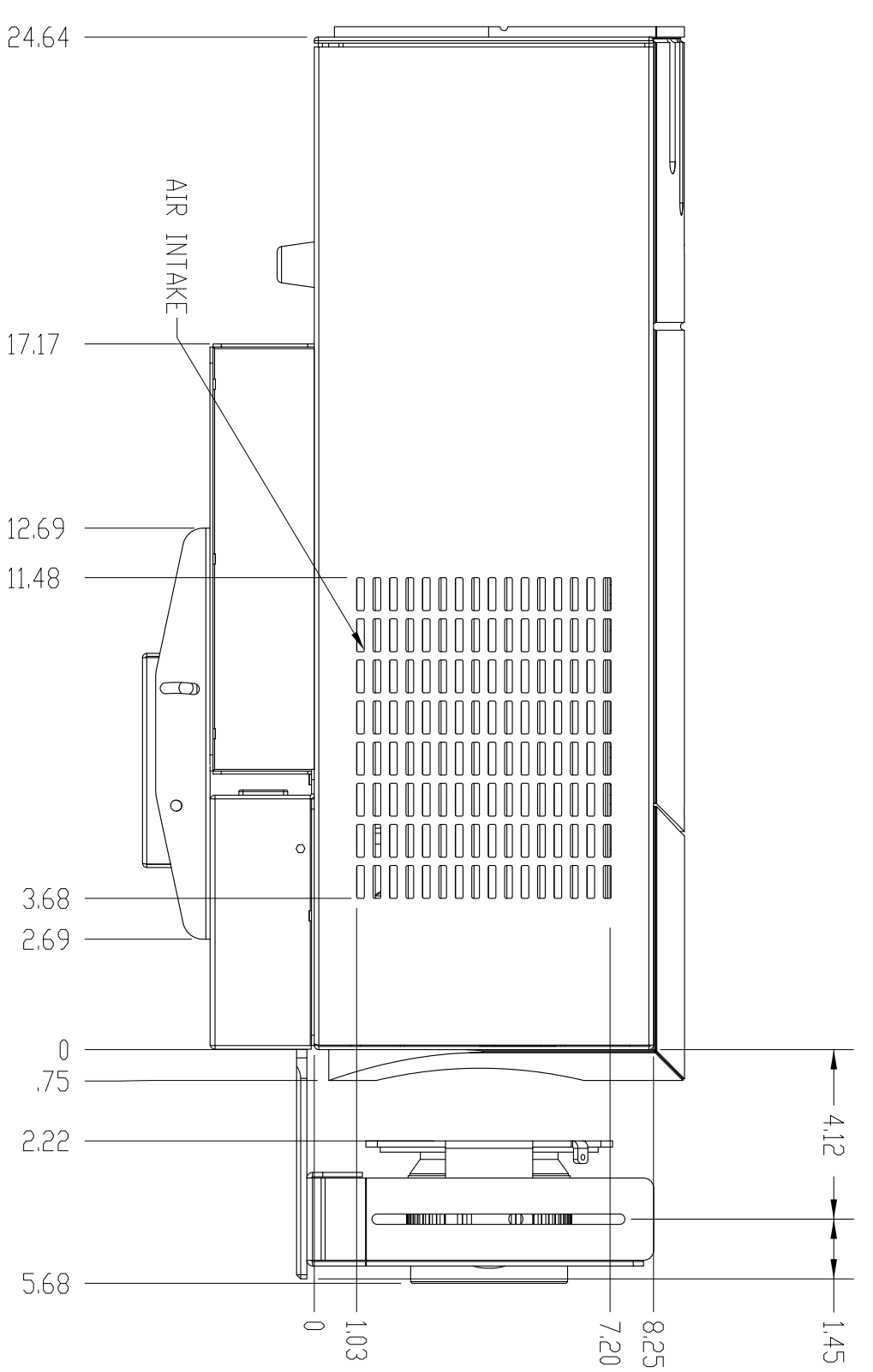


NOTE: UNLESS OTHERWISE SPECIFIED
 1" ALL DIMENSIONS ARE IN INCHES



THIS DRAWING IS THE PROPERTY OF RAINIER AUTOSCOPE, INC. AND IS NOT TO BE REPRODUCED OR TRANSMITTED IN ANY FORM OR BY ANY MEANS, ELECTRONIC OR MECHANICAL, INCLUDING PHOTOCOPYING, RECORDING, OR BY ANY INFORMATION STORAGE AND RETRIEVAL SYSTEM. ANY UNAUTHORIZED REPRODUCTION OR TRANSMISSION OF THIS DRAWING IS STRICTLY PROHIBITED. RAINIER AUTOSCOPE, INC. 1995. ALL RIGHTS RESERVED.

RAINIER THE HUNTER'S FRIEND		1995 INVA. COMPANY, DRIVE BEAVERCREEK, OR 97006 USA	
TITLE THUMBSCREWS	SIZE XXV - 1.25	AMPLIFY 11X	DATE NA
DRAWN D	CHECKED NA	APPROVED NA	DATE 10/11/04
PROJECT Cinewide Autoscope, Rainier VX-8d with Ceiling Mount		SHEET NO. 34	TOTAL SHEETS 34