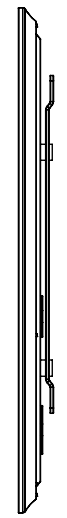
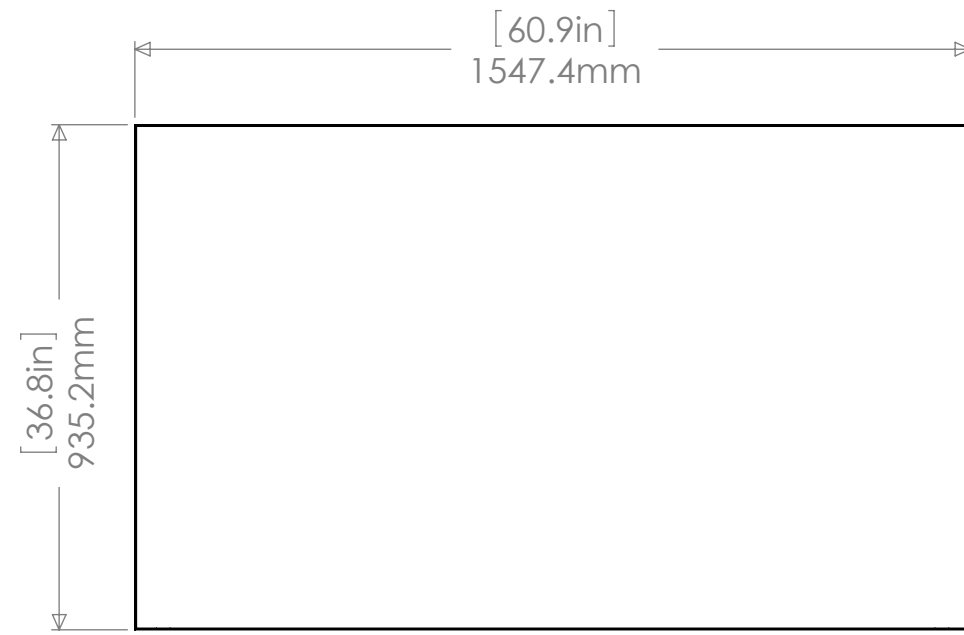
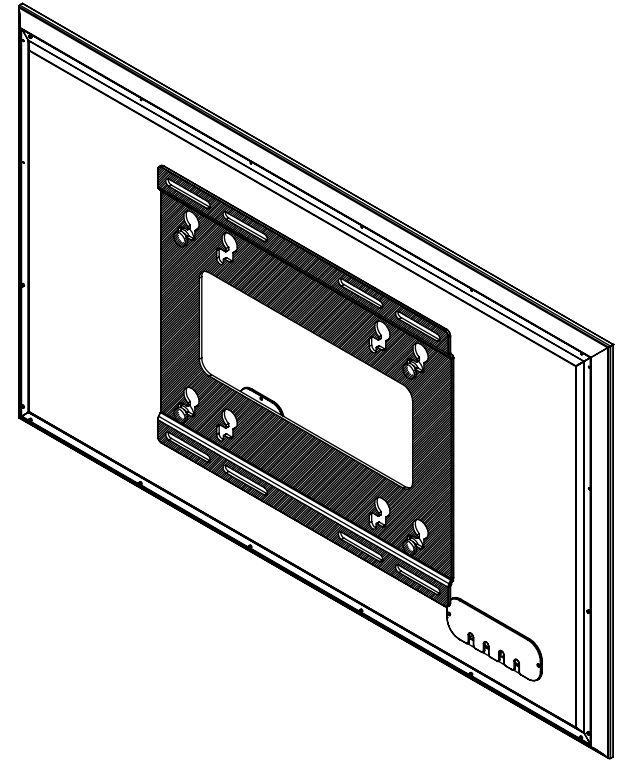


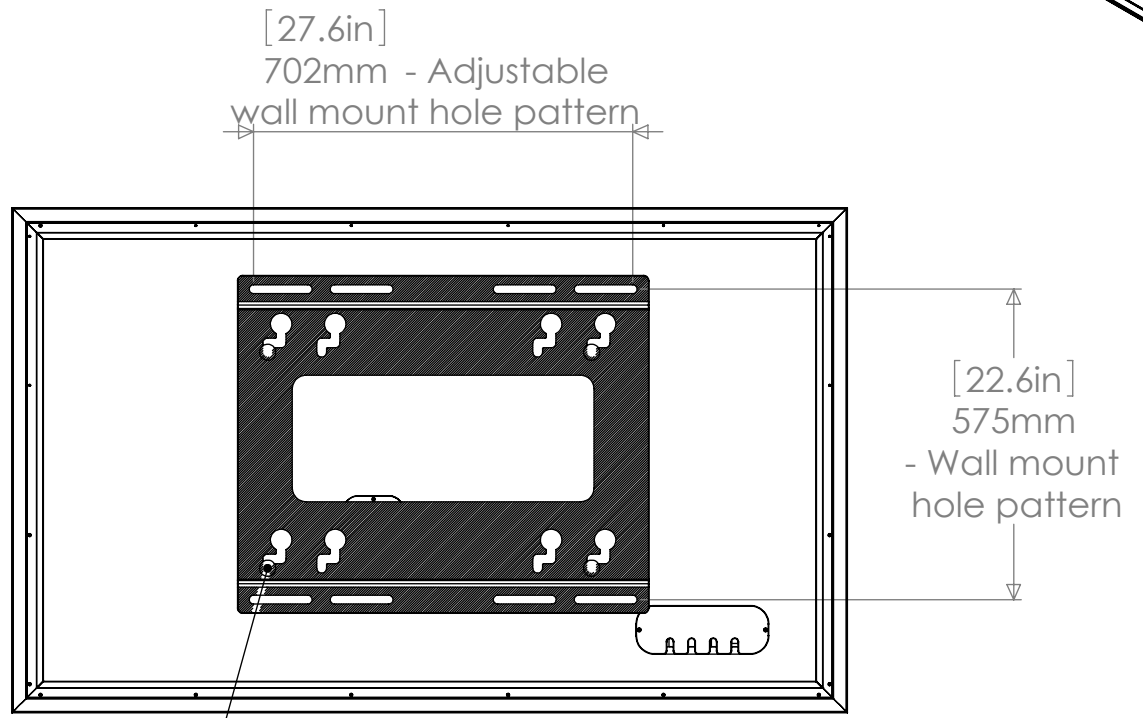
RUNCO
1195 NW COMPTON DRIVE
BEAVERTON, OR 97006 USA

TITLE
V-63HD - Overall Dimension

SIZE B	PART NUMBER	DRAWING NUMBER V-63HD	REV
SCALE 1:14	DO NOT SCALE		SHEET 1 OF 5



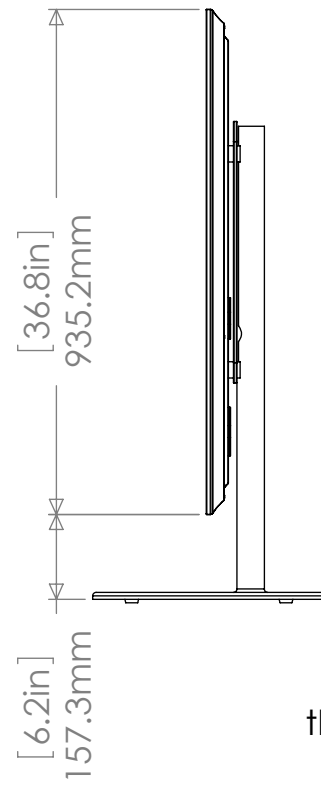
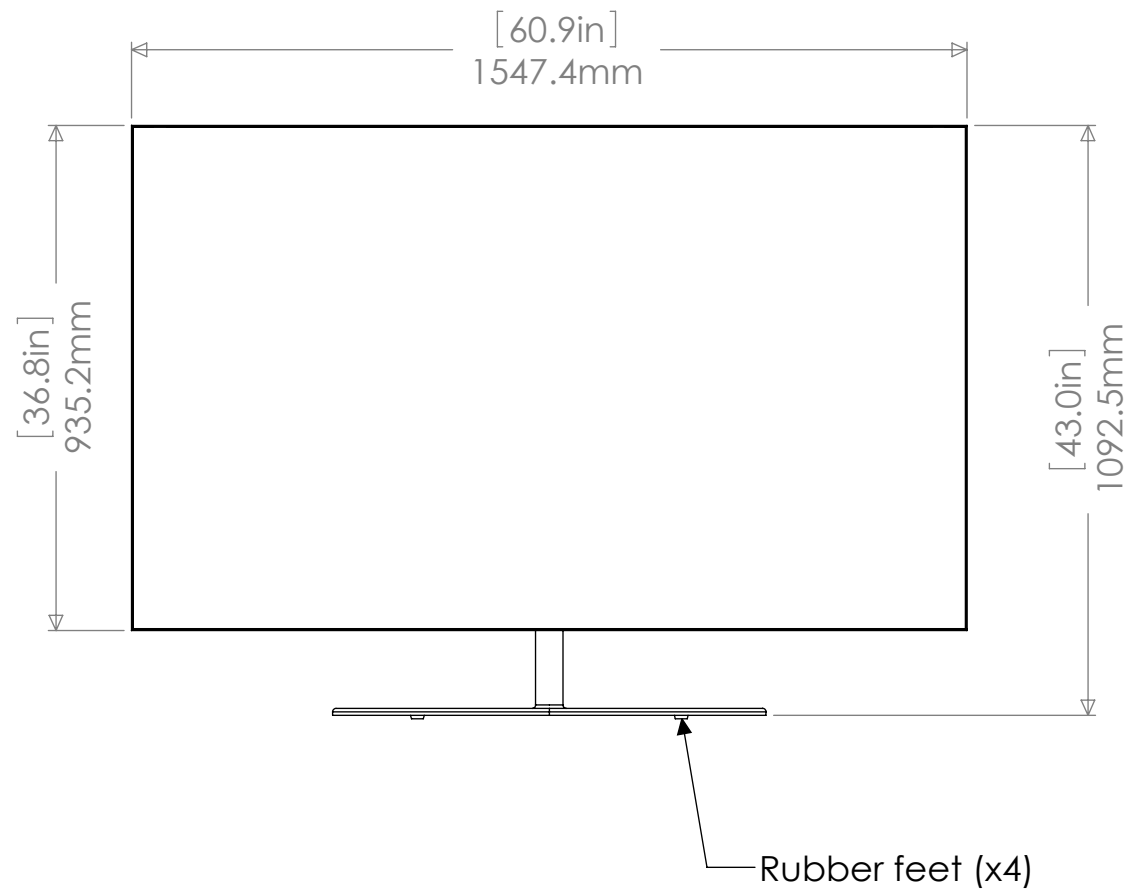
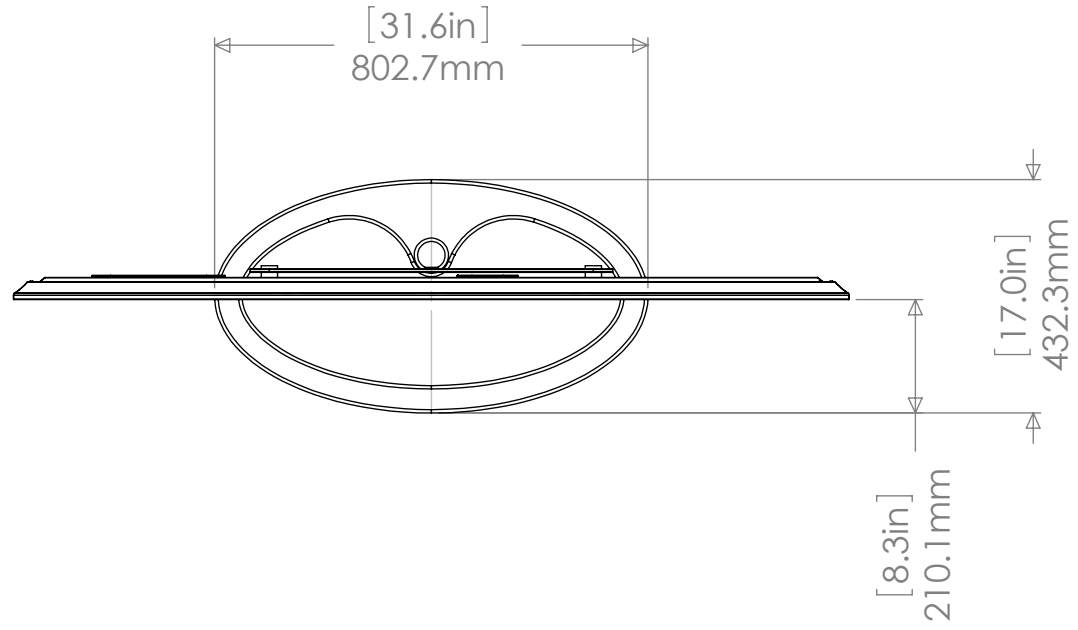
Keyhole design for easy installation



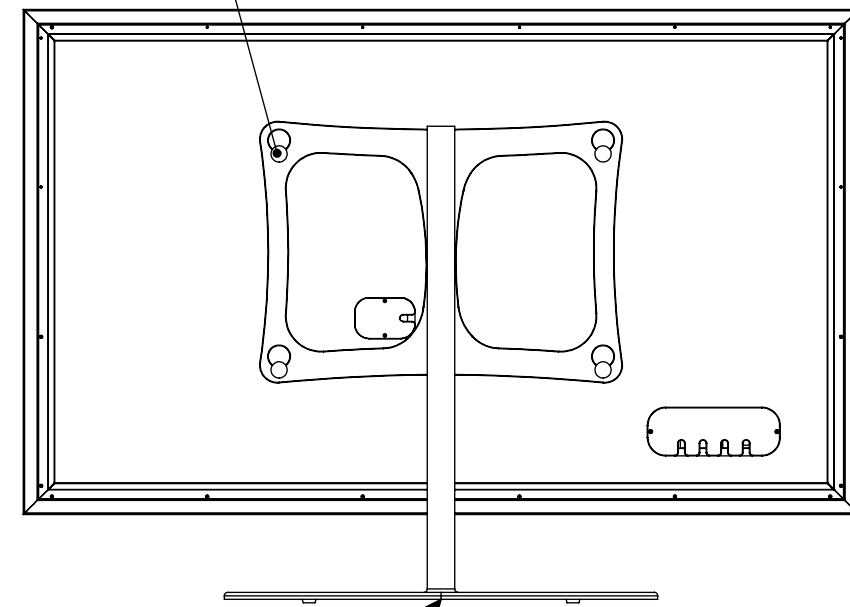
RUNCO
1195 NW COMPTON DRIVE
BEAVERTON, OR 97006 USA

TITLE			
V-63HD - Wall Mount			
SIZE	PART NUMBER	DRAWING NUMBER	REV
B		V-63HD	
SCALE	DO NOT SCALE		SHEET
1:14			2 OF 5

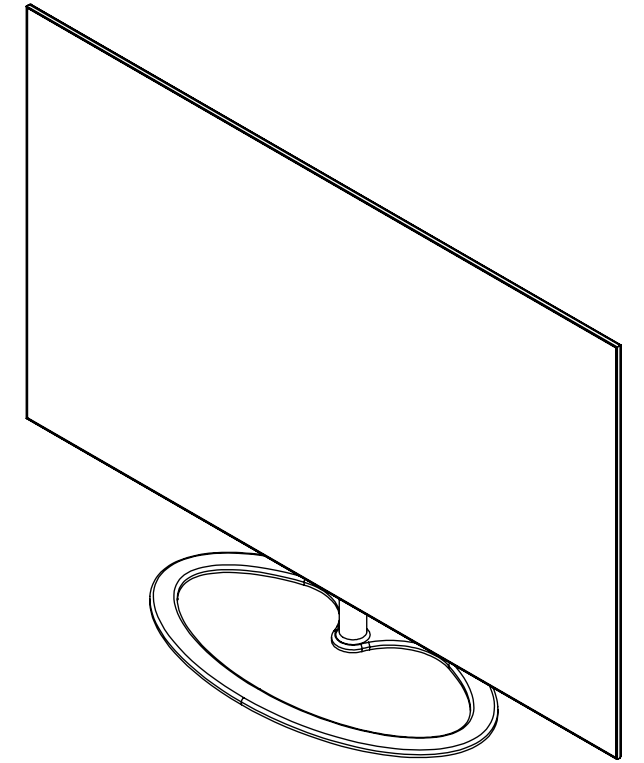
THIS DRAWING CONTAINS INFORMATION PROPRIETARY TO PLANAR SYSTEMS, INC.. ANY REPRODUCTION IN PART OR WHOLE WITHOUT THE WRITTEN PERMISSION OF PLANAR SYSTEMS IS PROHIBITED. THIS DRAWING IS SUPPLIED FOR INFORMATION, IDENTIFICATION, ENGINEERING, EVALUATION, AND/OR INSPECTION PURPOSES ONLY AND MAY NOT BE USED AS BASIS FOR THE MANUFACTURING OF PRODUCTS OR THE FURNISHING OF SERVICES TO PLANAR SYSTEMS OR TO ANY THIRD PARTY UNLESS AUTHORIZED IN WRITING BY PLANAR SYSTEMS.



Keyhole design for easy installation



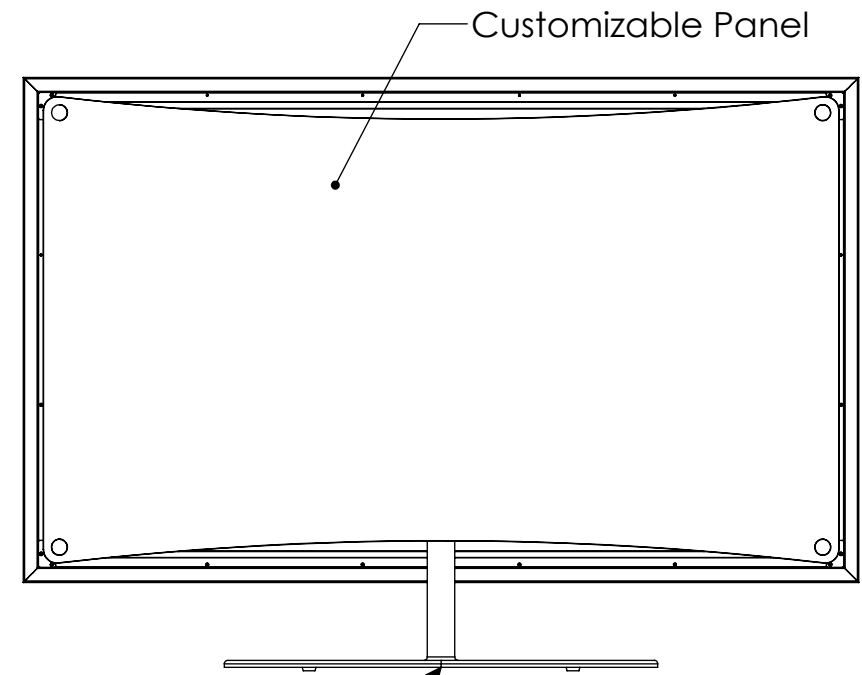
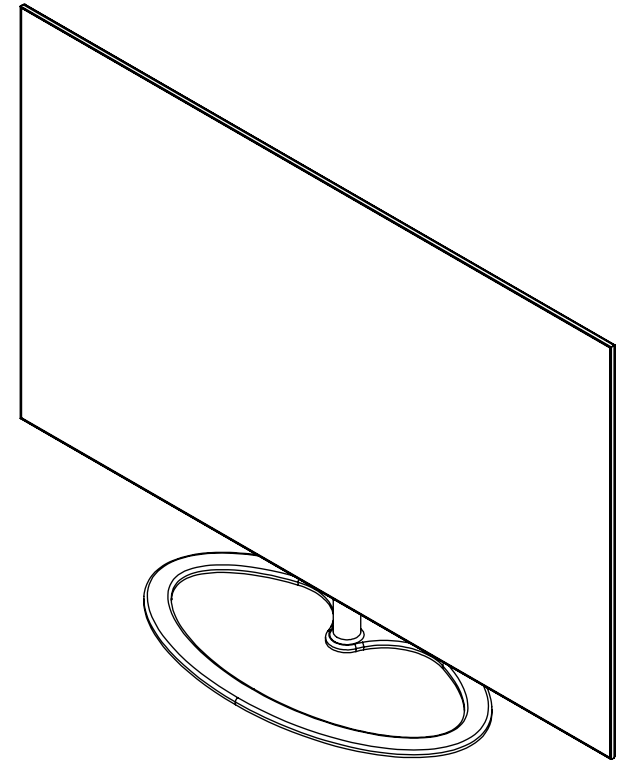
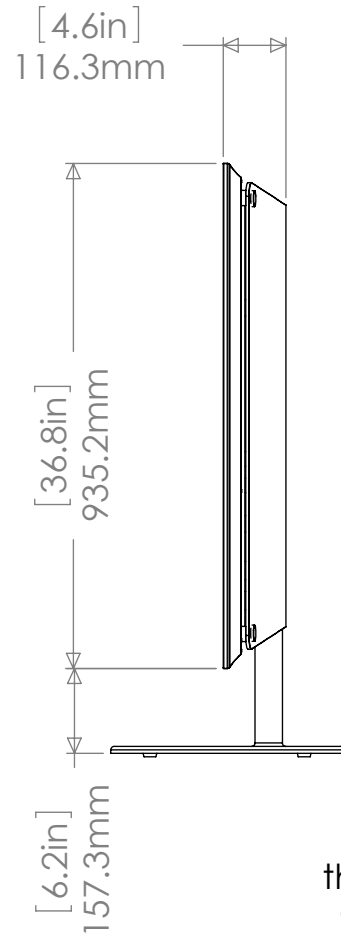
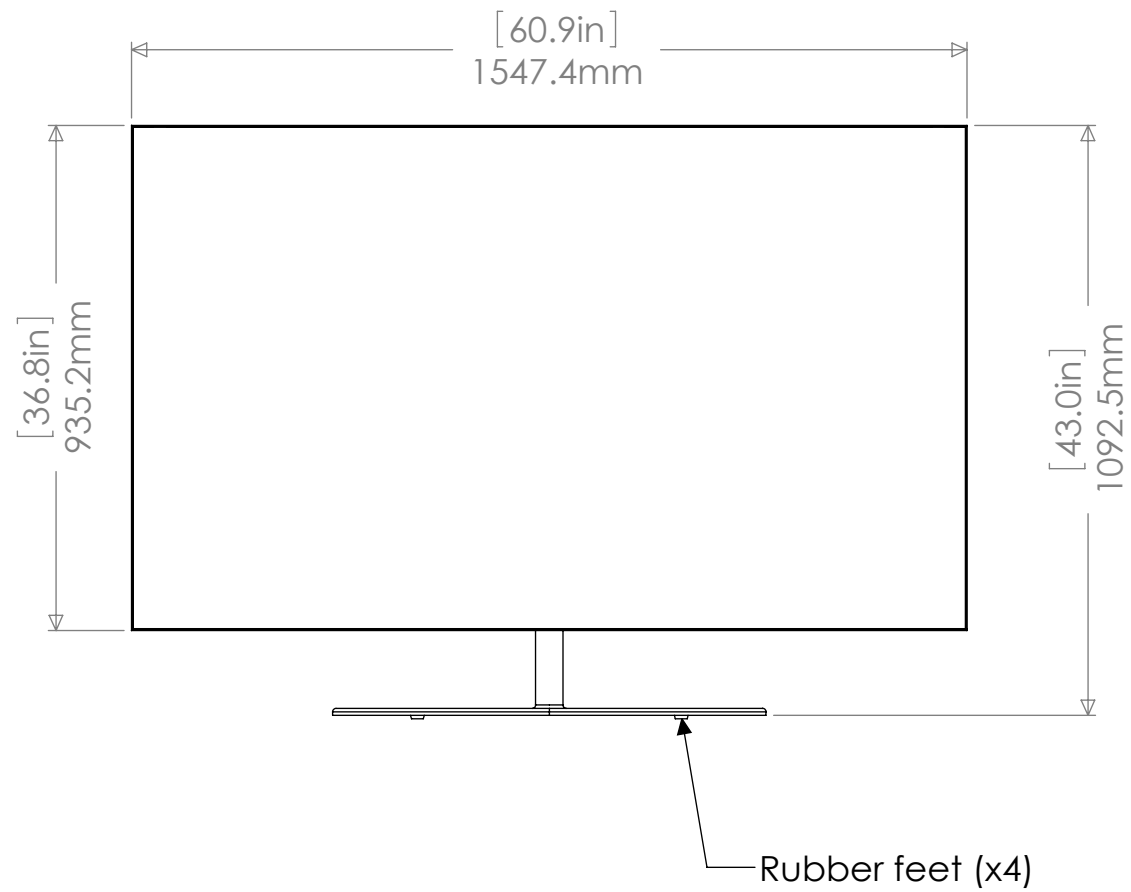
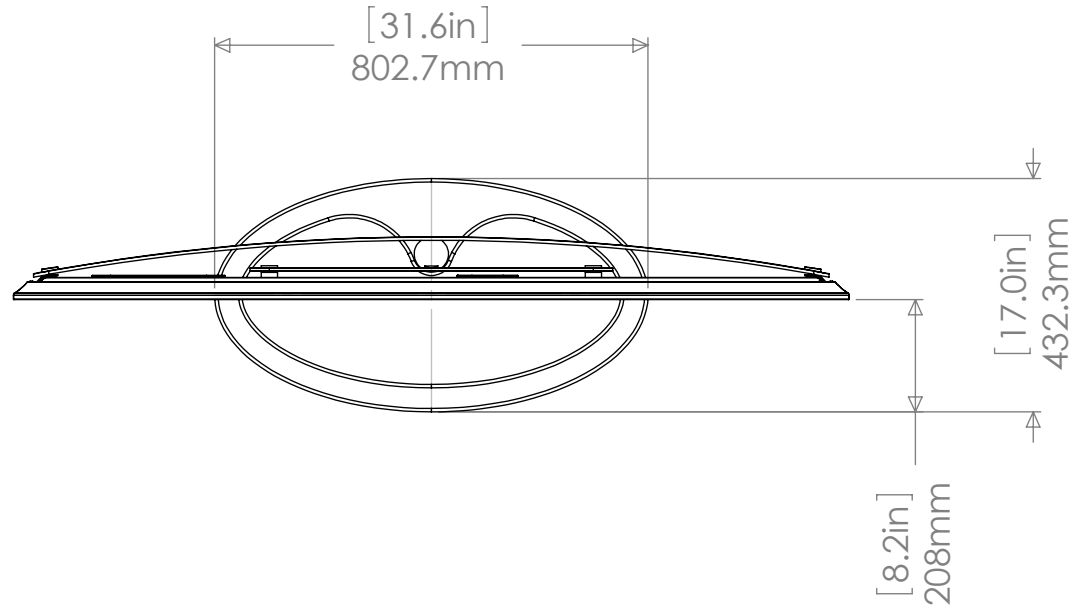
Cables are routed through vertical post and exit under elliptical base



RUNCO
1195 NW COMPTON DRIVE
BEAVERTON, OR 97006 USA

TITLE			
V-63HD - Table Stand			
SIZE	PART NUMBER	DRAWING NUMBER	REV
B		V-63HD	
SCALE	DO NOT SCALE		SHEET
1:14			3 OF 5

THIS DRAWING CONTAINS INFORMATION PROPRIETARY TO PLANAR SYSTEMS, INC. ANY REPRODUCTION IN PART OR WHOLE WITHOUT THE WRITTEN PERMISSION OF PLANAR SYSTEMS IS PROHIBITED. THIS DRAWING IS SUPPLIED FOR INFORMATION, IDENTIFICATION, ENGINEERING, EVALUATION, AND/OR INSPECTION PURPOSES ONLY AND MAY NOT BE USED AS BASIS FOR THE MANUFACTURING OF PRODUCTS OR THE FURNISHING OF SERVICES TO PLANAR SYSTEMS OR TO ANY THIRD PARTY UNLESS AUTHORIZED IN WRITING BY PLANAR SYSTEMS.

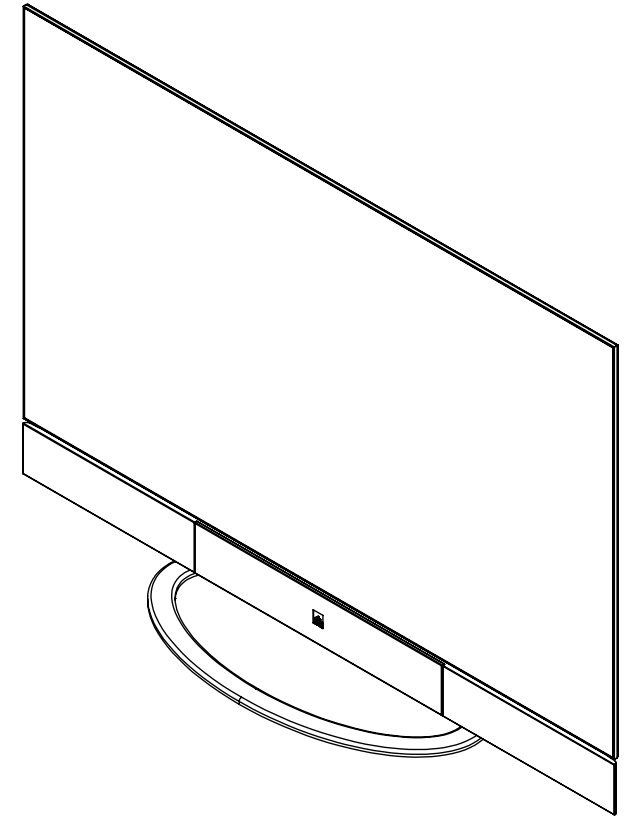
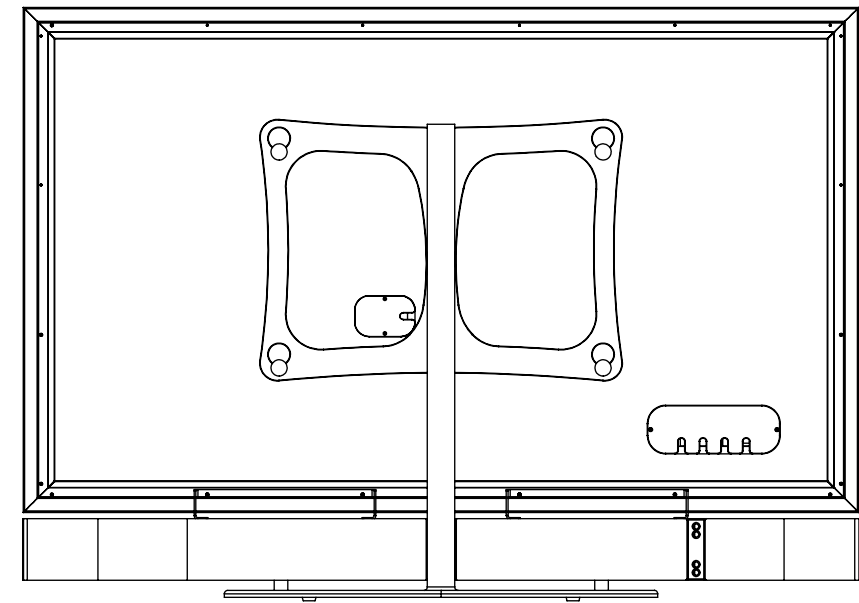
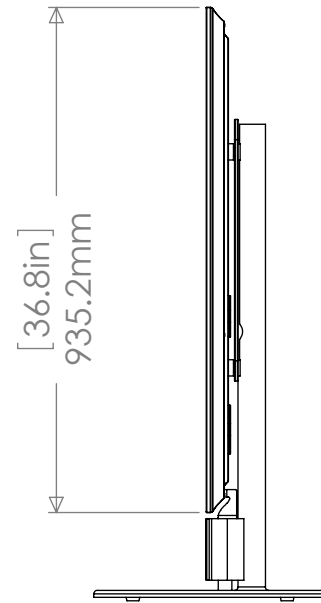
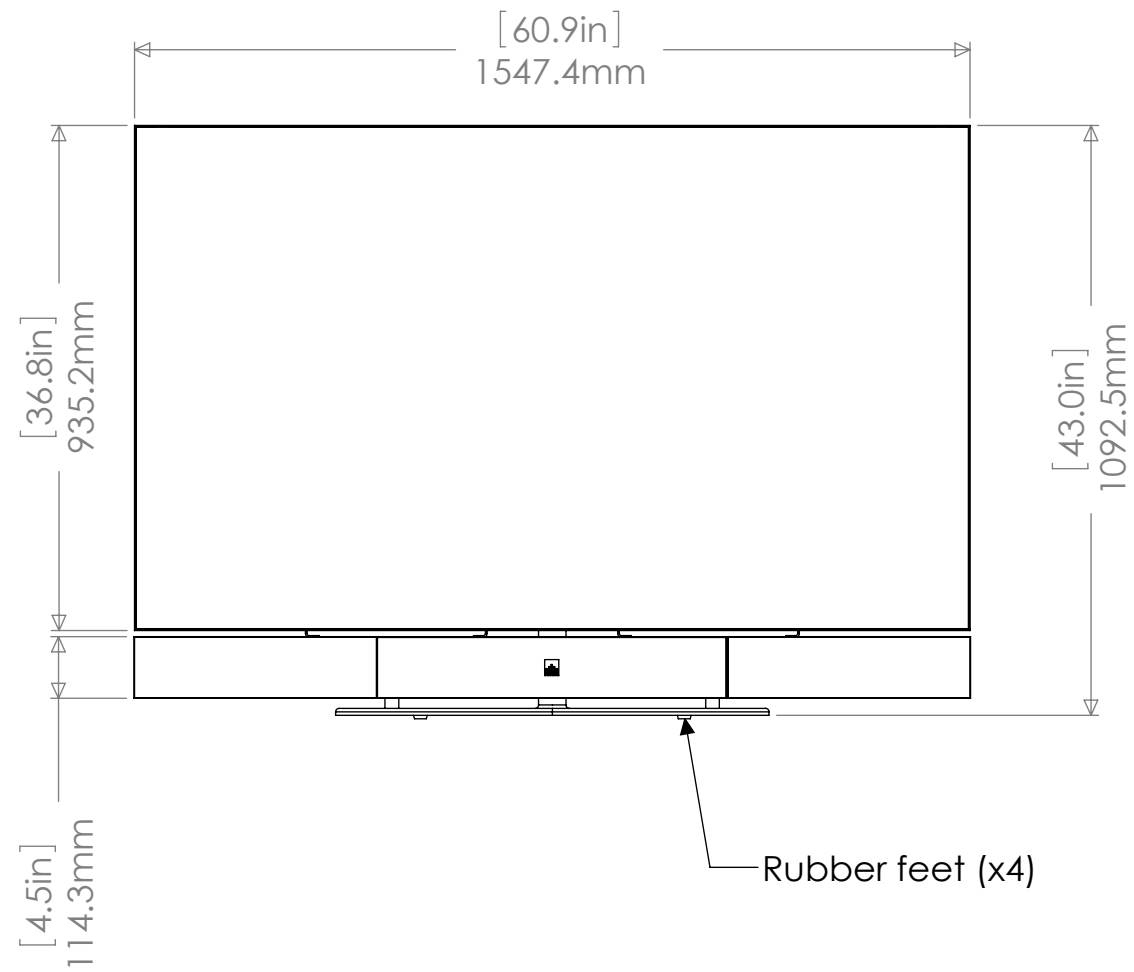
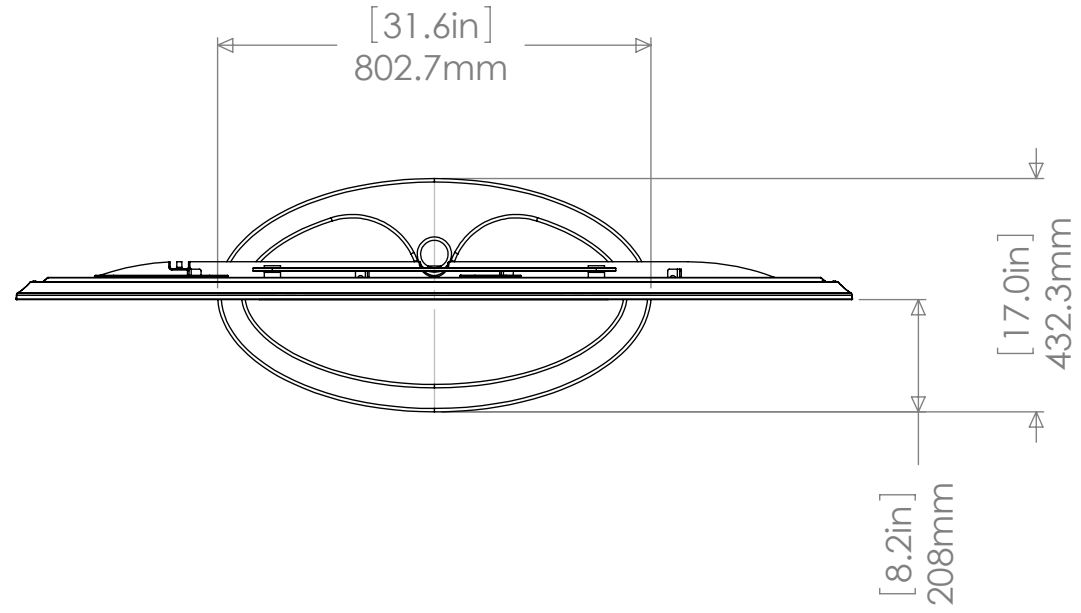


Cables are routed through vertical post and exit under elliptical base

RUNCO
1195 NW COMPTON DRIVE
BEAVERTON, OR 97006 USA

TITLE			
V-63HD - Veil Panel			
SIZE	PART NUMBER	DRAWING NUMBER	REV
B		V-63HD	
SCALE	DO NOT SCALE		SHEET
1:14			4 OF 5

THIS DRAWING CONTAINS INFORMATION PROPRIETARY TO PLANAR SYSTEMS, INC. ANY REPRODUCTION IN PART OR WHOLE WITHOUT THE WRITTEN PERMISSION OF PLANAR SYSTEMS IS PROHIBITED. THIS DRAWING IS SUPPLIED FOR INFORMATION, IDENTIFICATION, ENGINEERING, EVALUATION, AND/OR INSPECTION PURPOSES ONLY AND MAY NOT BE USED AS BASIS FOR THE MANUFACTURING OF PRODUCTS OR THE FURNISHING OF SERVICES TO PLANAR SYSTEMS OR TO ANY THIRD PARTY UNLESS AUTHORIZED IN WRITING BY PLANAR SYSTEMS.



Note: Speaker bar
mounts to display via
mounting brackets (x2).

RUNCO
1195 NW COMPTON DRIVE
BEAVERTON, OR 97006 USA

TITLE			
V-63HD - Veil Panel			
SIZE	PART NUMBER	DRAWING NUMBER	REV
B		V-63HD	
SCALE	DO NOT SCALE		SHEET
1:14			5 OF 5