

A/C Input  
Behind Removable  
Cover Plate

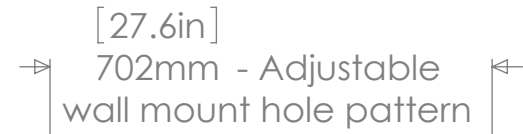
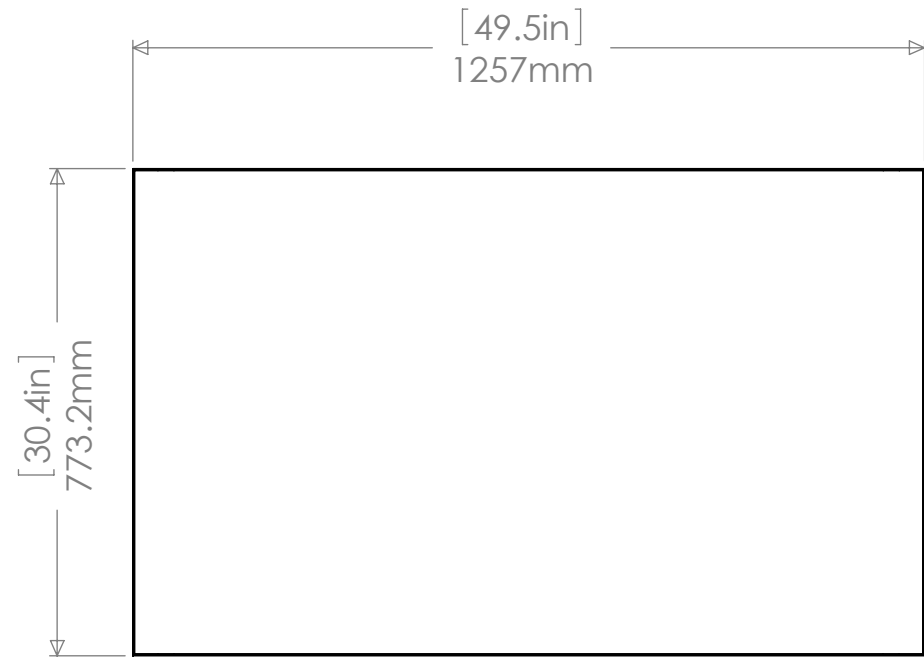
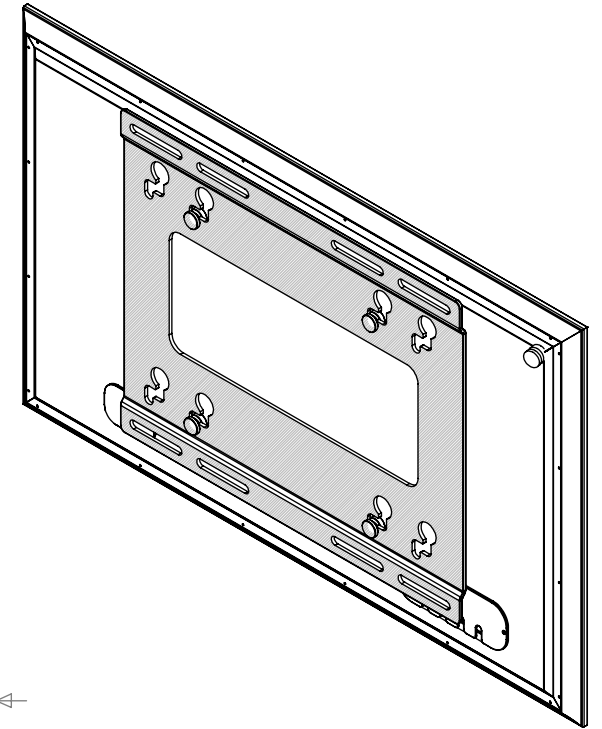
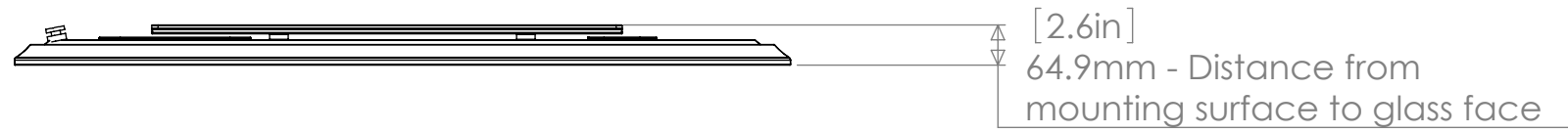
Primary Input/  
Audio Output Behind  
Removable Cover Plate

**RUNCO**  
1195 NW COMPTON DRIVE  
BEAVERTON, OR 97006 USA

TITLE  
**V-50HD - Overall Dimensions**

SIZE <b>B</b>	PART NUMBER	DRAWING NUMBER <b>V-50HD</b>	REV
SCALE 1:12	DO NOT SCALE		SHEET 1 OF 5

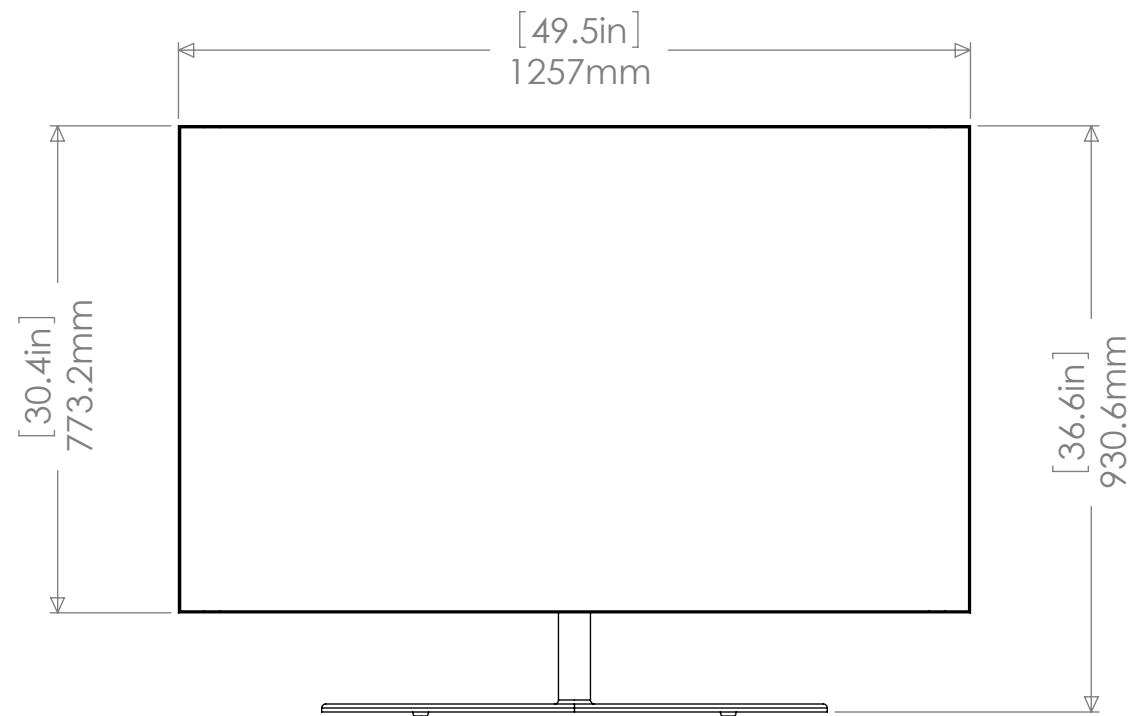
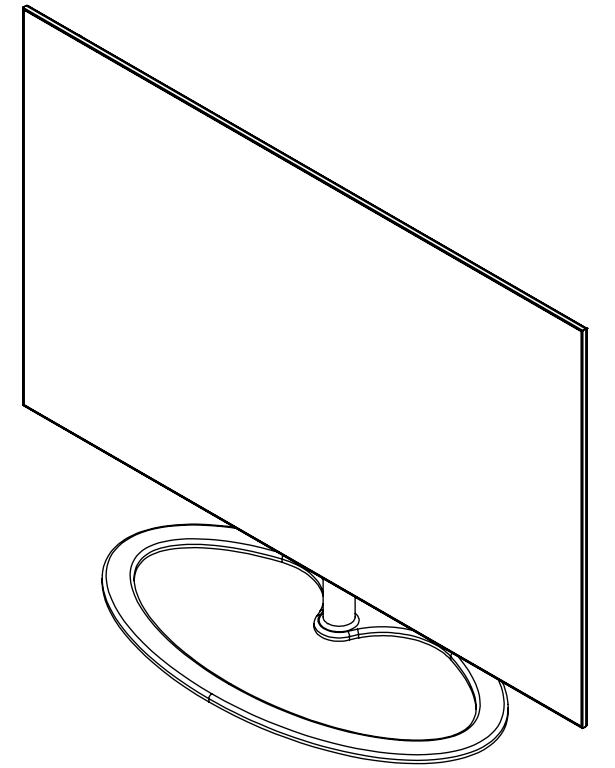
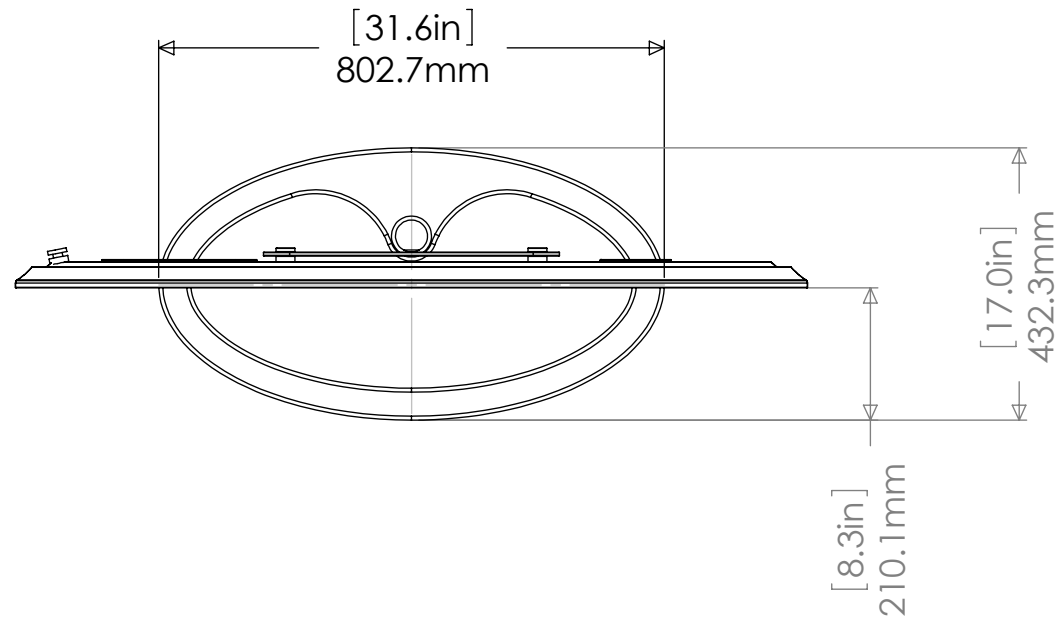
THIS DRAWING CONTAINS INFORMATION PROPRIETARY TO PLANAR SYSTEMS, INC.. ANY REPRODUCTION IN PART OR WHOLE WITHOUT THE WRITTEN PERMISSION OF PLANAR SYSTEMS IS PROHIBITED. THIS DRAWING IS SUPPLIED FOR INFORMATION, IDENTIFICATION, ENGINEERING, EVALUATION, AND/OR INSPECTION PURPOSES ONLY AND MAY NOT BE USED AS BASIS FOR THE MANUFACTURING OF PRODUCTS OR THE FURNISHING OF SERVICES TO PLANAR SYSTEMS OR TO ANY THIRD PARTY UNLESS AUTHORIZED IN WRITING BY PLANAR SYSTEMS.



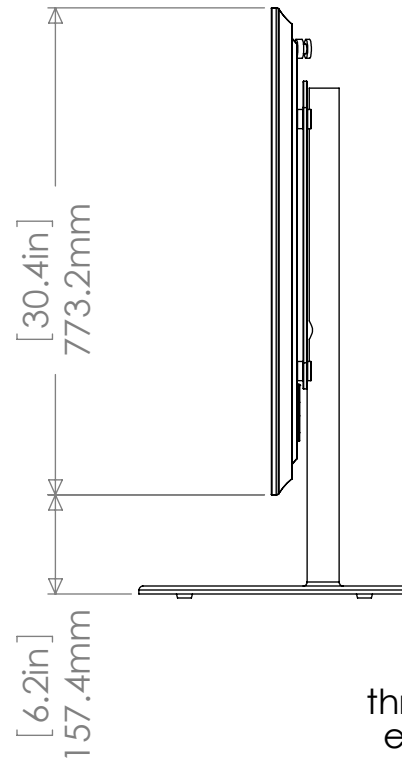
Keyhole design for easy installation

THIS DRAWING CONTAINS INFORMATION PROPRIETARY TO PLANAR SYSTEMS, INC.. ANY REPRODUCTION IN PART OR WHOLE WITHOUT THE WRITTEN PERMISSION OF PLANAR SYSTEMS IS PROHIBITED. THIS DRAWING IS SUPPLIED FOR INFORMATION, IDENTIFICATION, ENGINEERING, EVALUATION, AND/OR INSPECTION PURPOSES ONLY AND MAY NOT BE USED AS BASIS FOR THE MANUFACTURING OF PRODUCTS OR THE FURNISHING OF SERVICES TO PLANAR SYSTEMS OR TO ANY THIRD PARTY UNLESS AUTHORIZED IN WRITING BY PLANAR SYSTEMS.

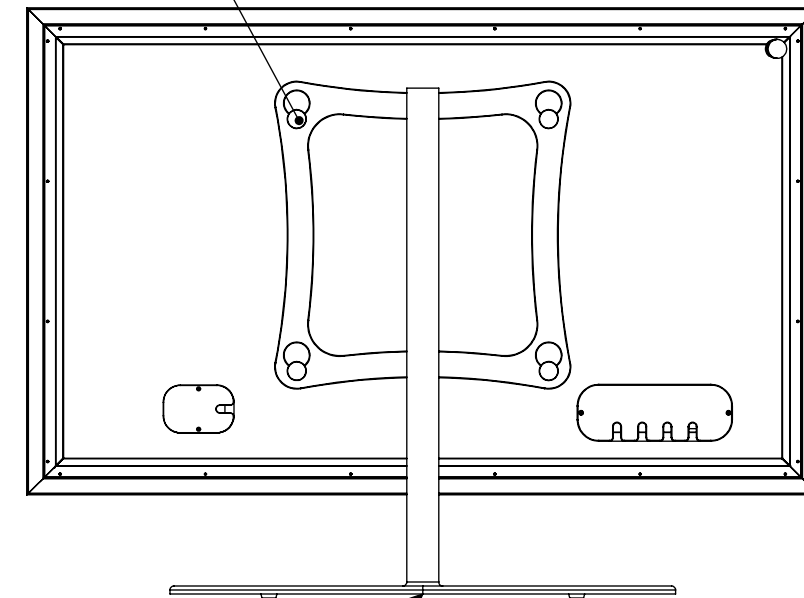
<b>RUNCO</b> 1195 NW COMPTON DRIVE BEAVERTON, OR 97006 USA			
TITLE <b>V-50HD - Wall Mount</b>			
SIZE <b>B</b>	PART NUMBER	DRAWING NUMBER <b>V-50HD</b>	REV
SCALE 1:12	DO NOT SCALE		SHEET 2 OF 5



Rubber feet (x4)



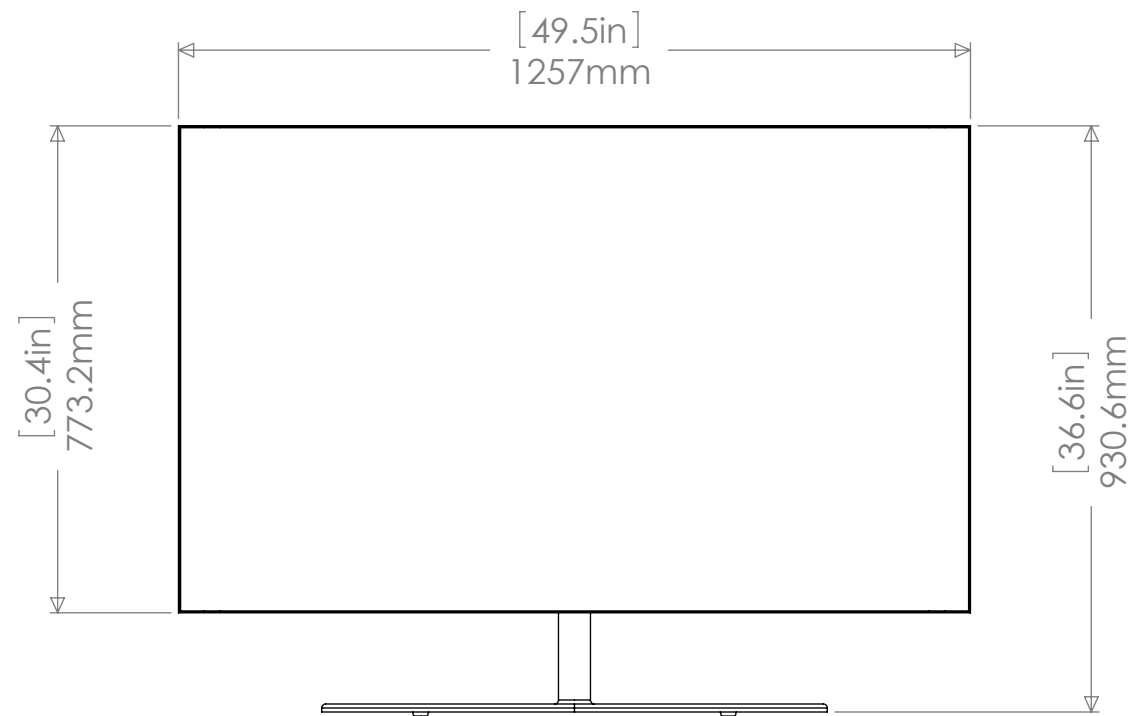
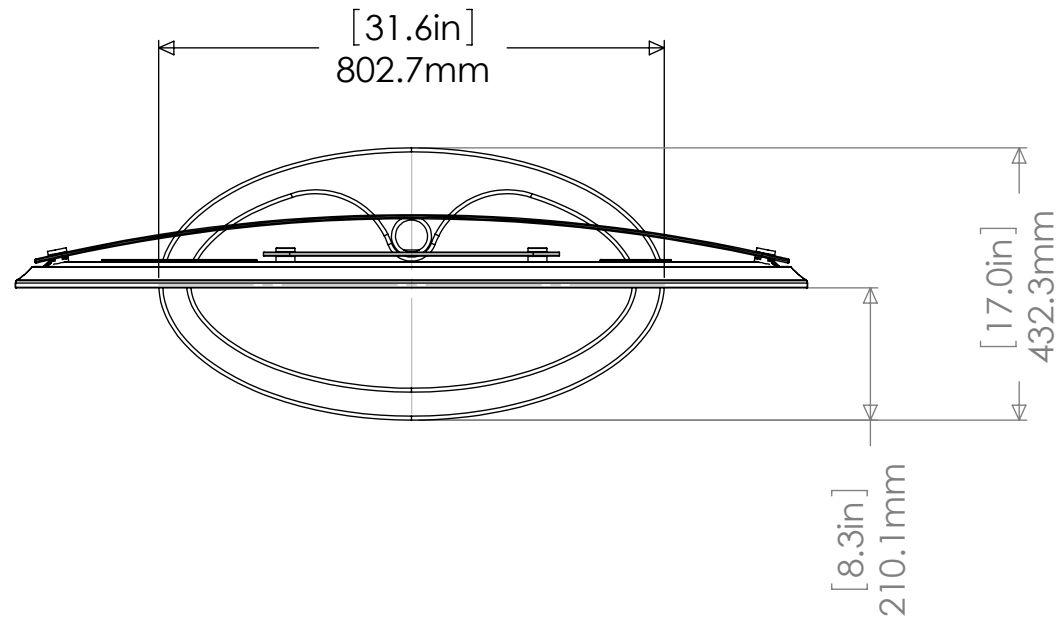
Keyhole design for easy installation



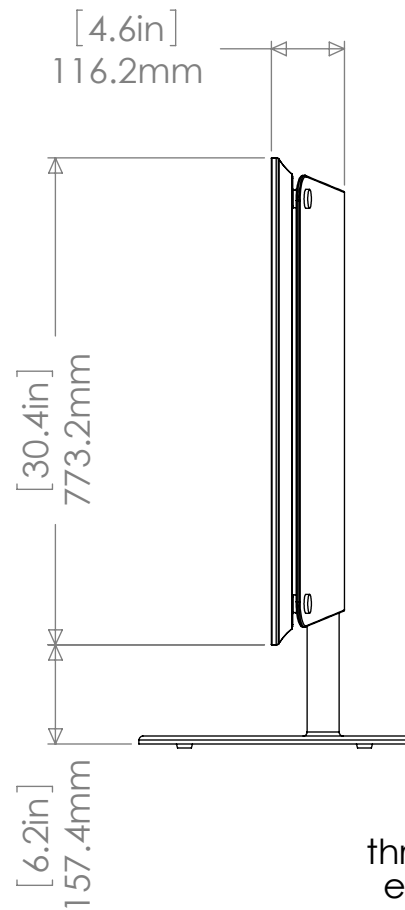
Cables are routed through vertical post and exit under elliptical base

**RUNCO**  
1195 NW COMPTON DRIVE  
BEAVERTON, OR 97006 USA

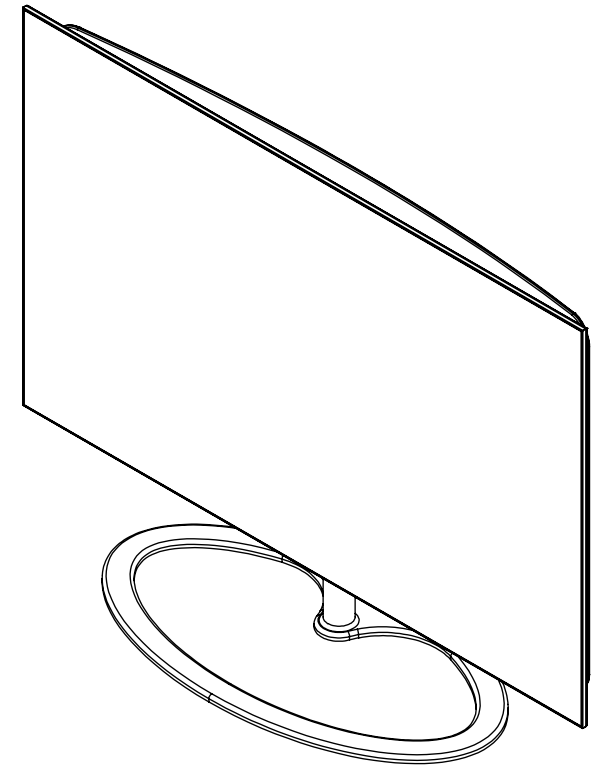
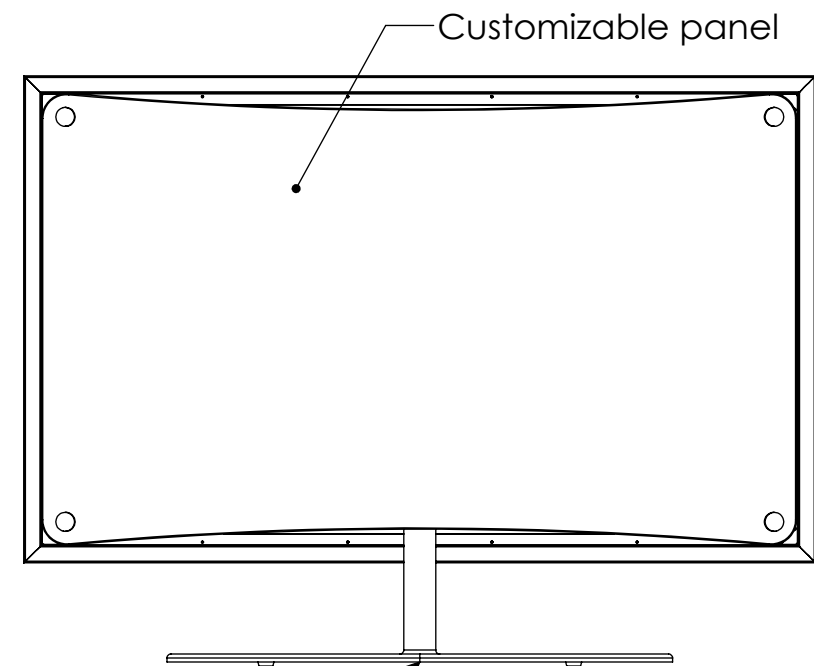
TITLE			
<b>V-50HD - Table Stand</b>			
SIZE	PART NUMBER	DRAWING NUMBER	REV
<b>B</b>		<b>V-50HD</b>	
SCALE	DO NOT SCALE		SHEET
1:12			3 OF 5



Rubber feet (x4)

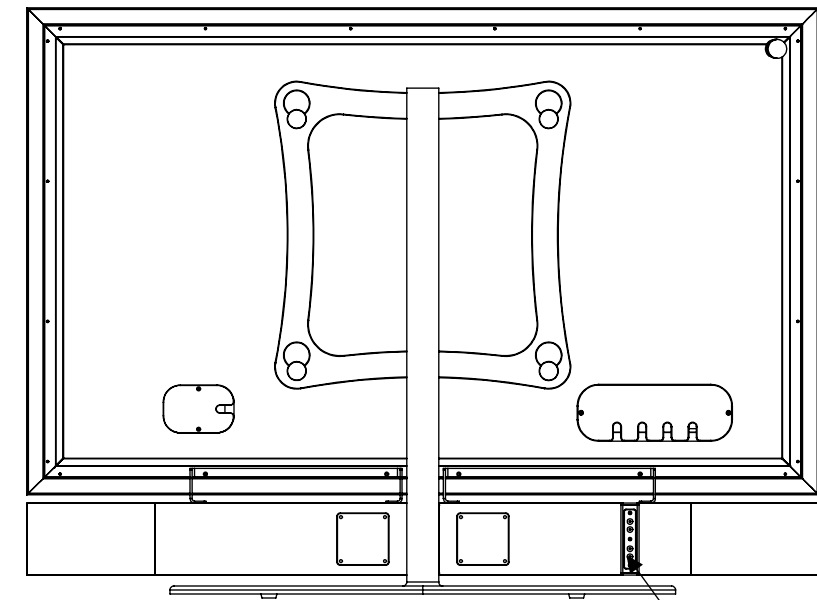
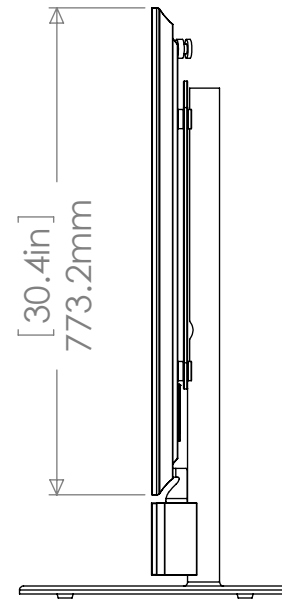
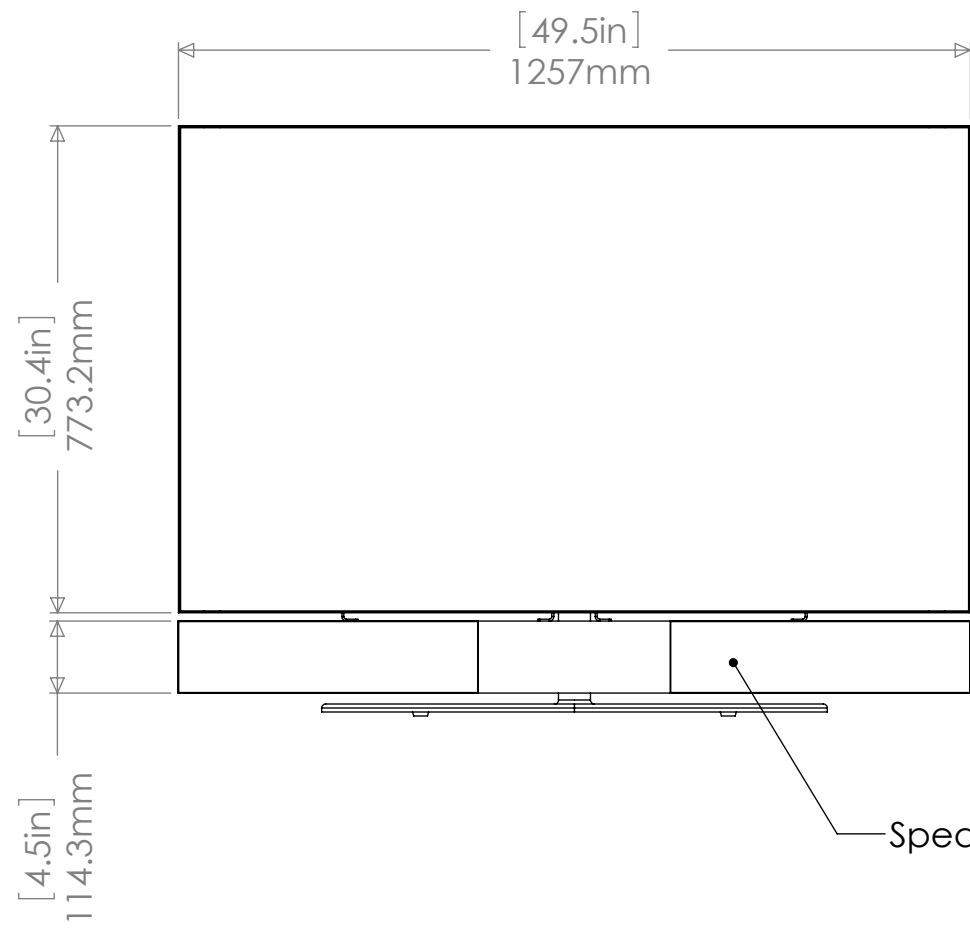
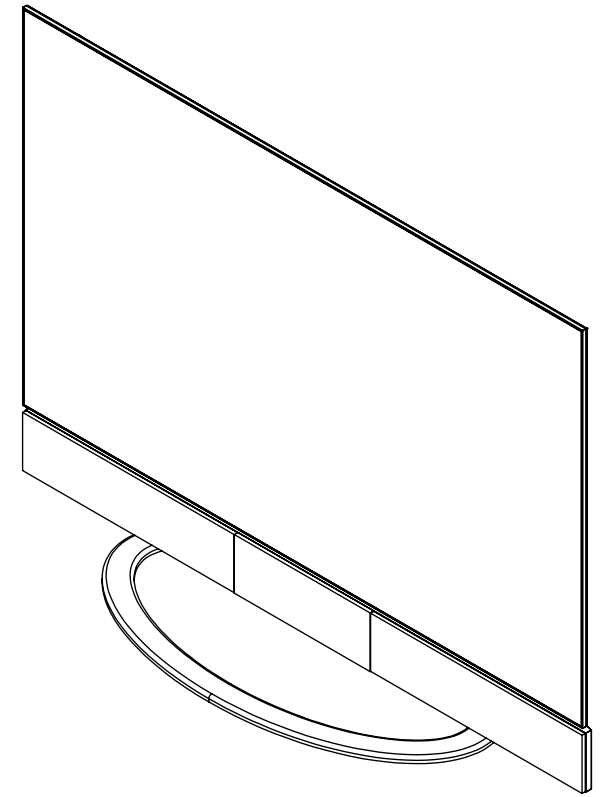
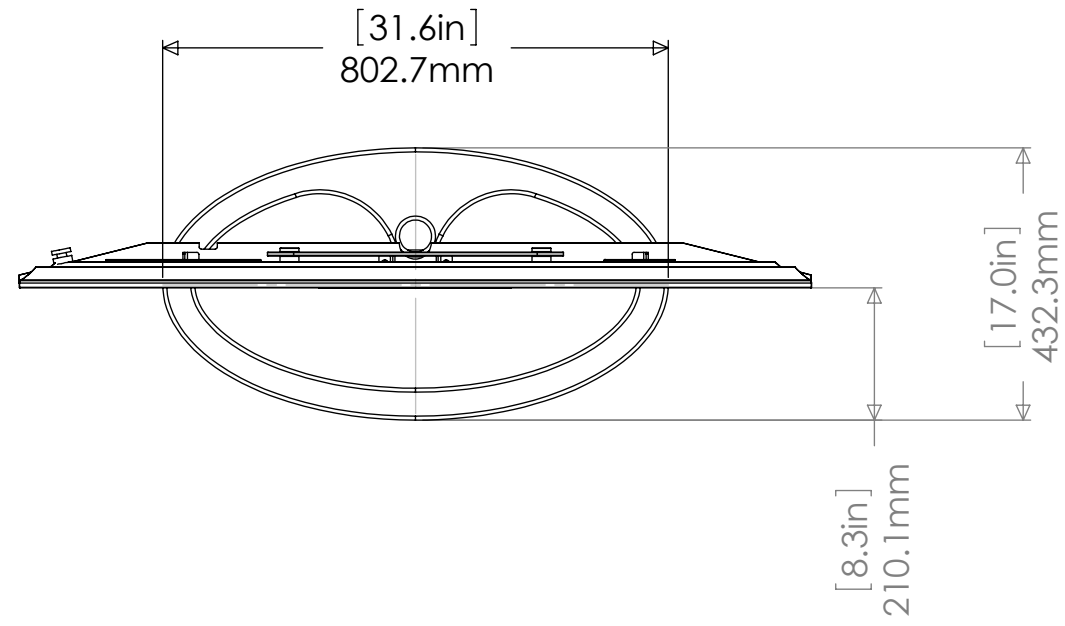


Cables are routed through vertical post and exit under elliptical base



**RUNCO**  
1195 NW COMPTON DRIVE  
BEAVERTON, OR 97006 USA

TITLE			
<b>V-50 - Vail Panel</b>			
SIZE	PART NUMBER	DRAWING NUMBER	REV
<b>B</b>		<b>V-50HD</b>	
SCALE	DO NOT SCALE		SHEET
1:12			4 OF 5



Audio Input

Speaker Bar

Note: Speaker bar  
mounts to display via  
mounting brackets (x2)

THIS DRAWING CONTAINS INFORMATION PROPRIETARY TO PLANAR SYSTEMS, INC. ANY REPRODUCTION IN PART OR WHOLE WITHOUT THE WRITTEN PERMISSION OF PLANAR SYSTEMS IS PROHIBITED. THIS DRAWING IS SUPPLIED FOR INFORMATION, IDENTIFICATION, ENGINEERING, EVALUATION, AND/OR INSPECTION PURPOSES ONLY AND MAY NOT BE USED AS BASIS FOR THE MANUFACTURING OF PRODUCTS OR THE FURNISHING OF SERVICES TO PLANAR SYSTEMS OR TO ANY THIRD PARTY UNLESS AUTHORIZED IN WRITING BY PLANAR SYSTEMS.

<p><b>RUNCO</b> 1195 NW COMPTON DRIVE BEAVERTON, OR 97006 USA</p>			
<p>TITLE <b>V-50HD - Speaker Bar</b></p>			
SIZE <b>B</b>	PART NUMBER	DRAWING NUMBER <b>V-50HD</b>	REV
SCALE 1:12	DO NOT SCALE	SHEET 5 OF 5	