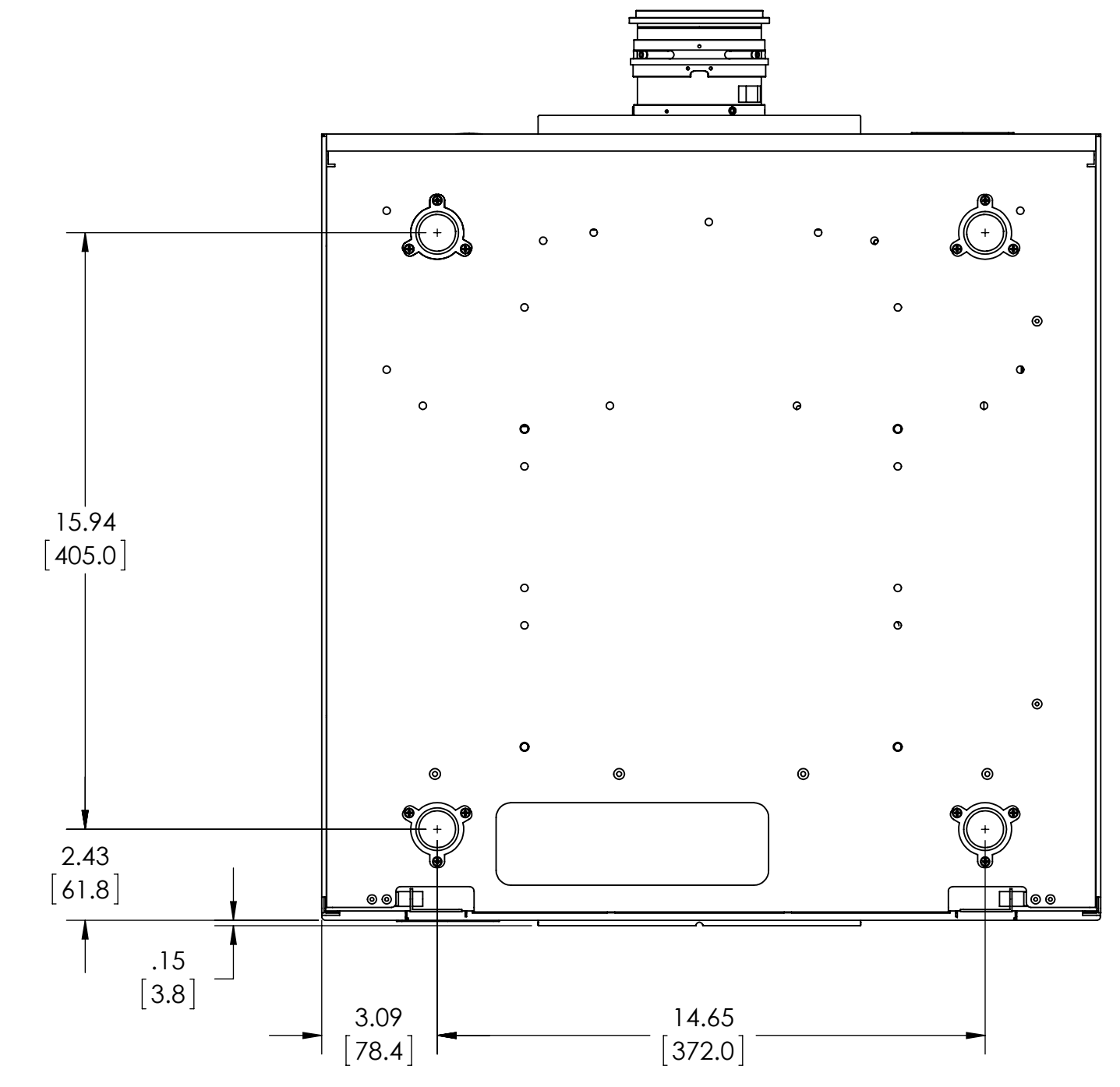
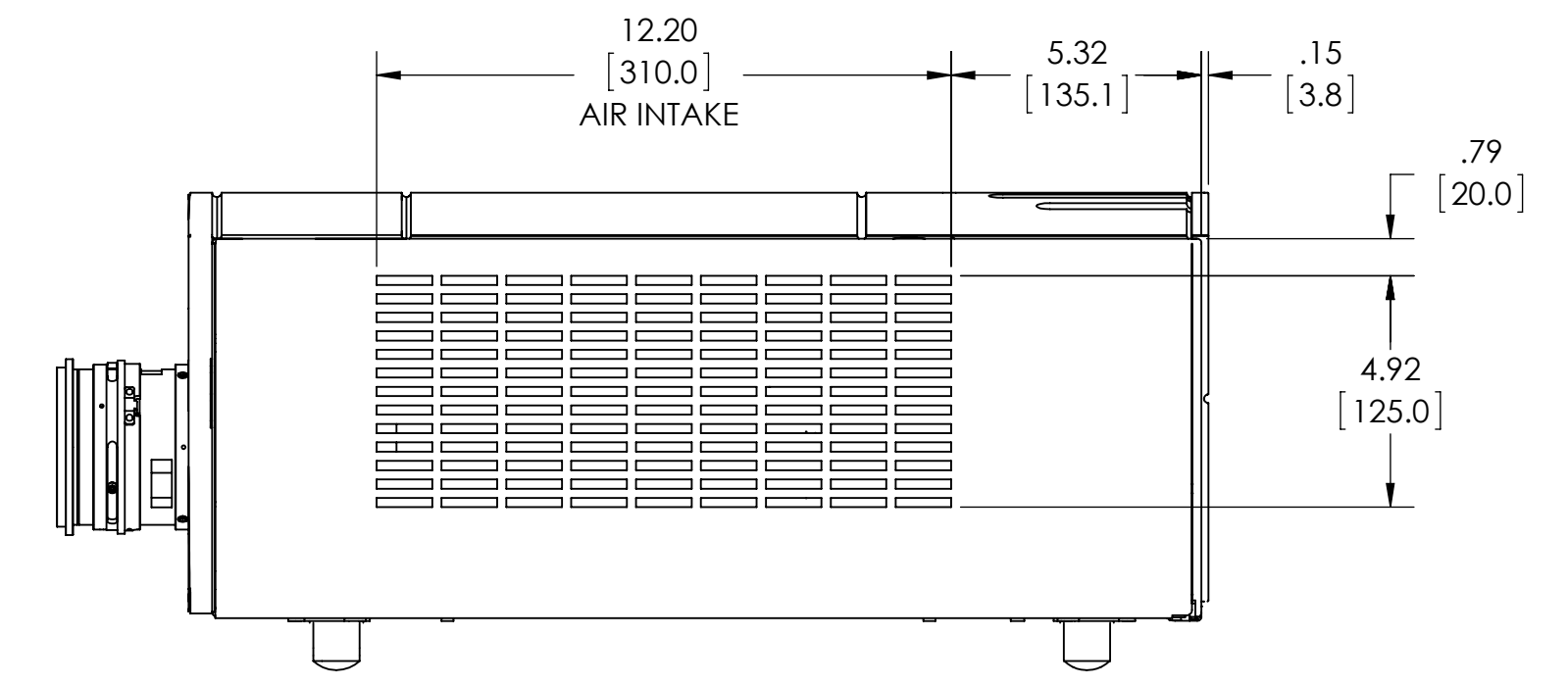
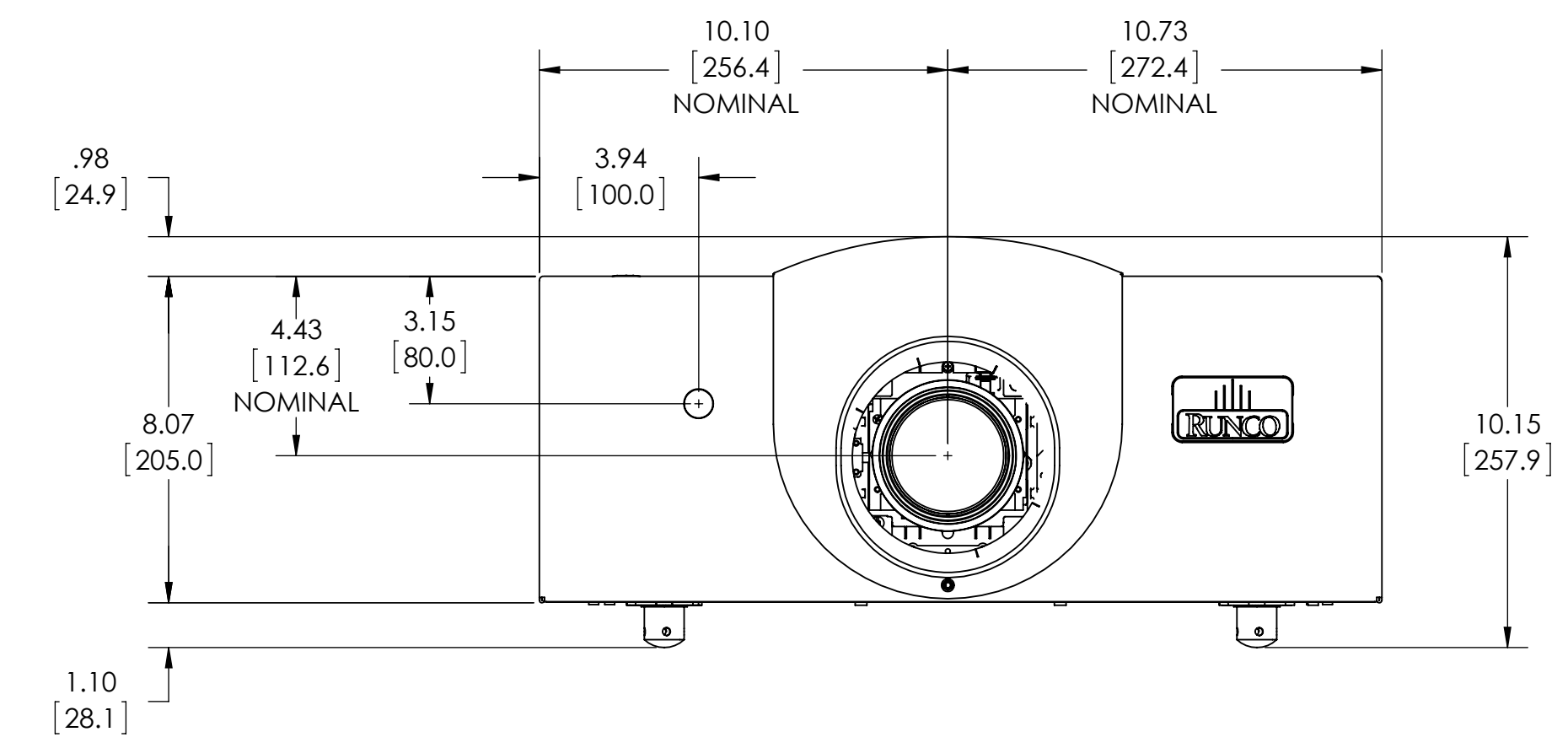
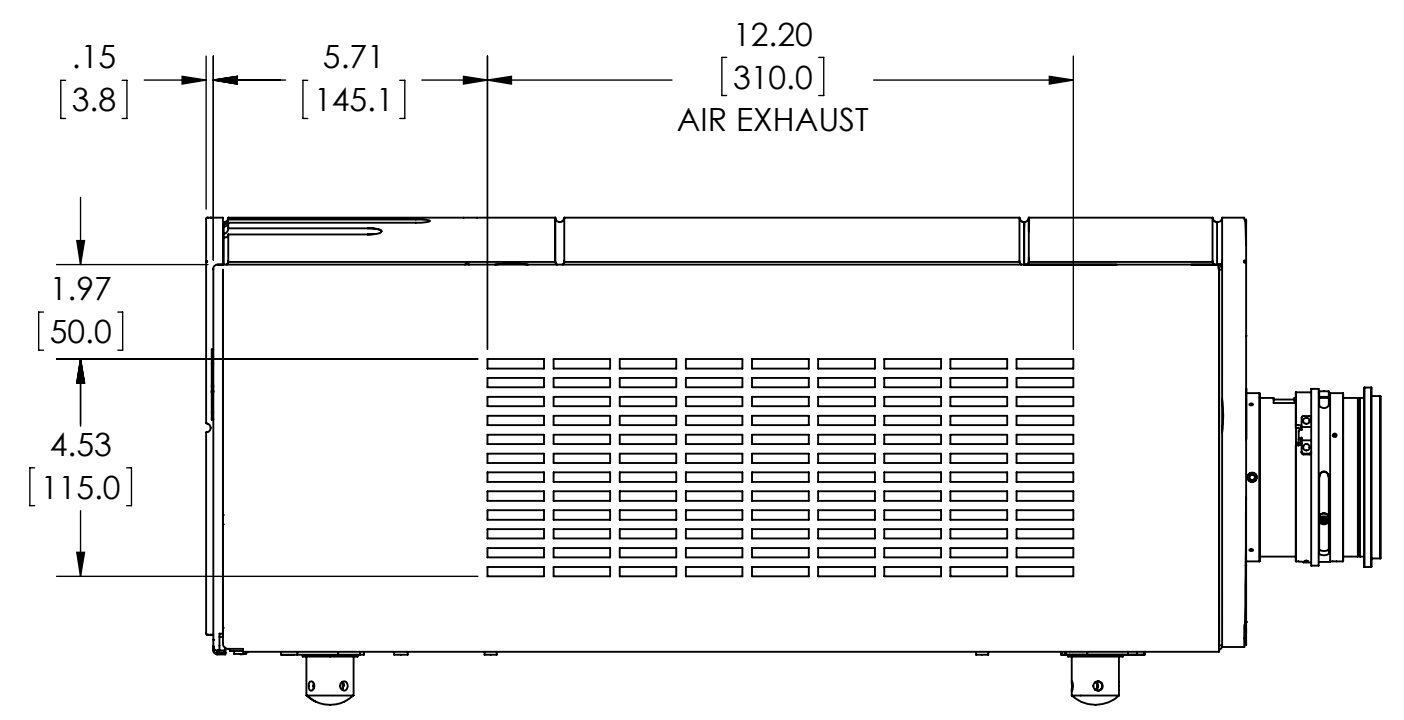
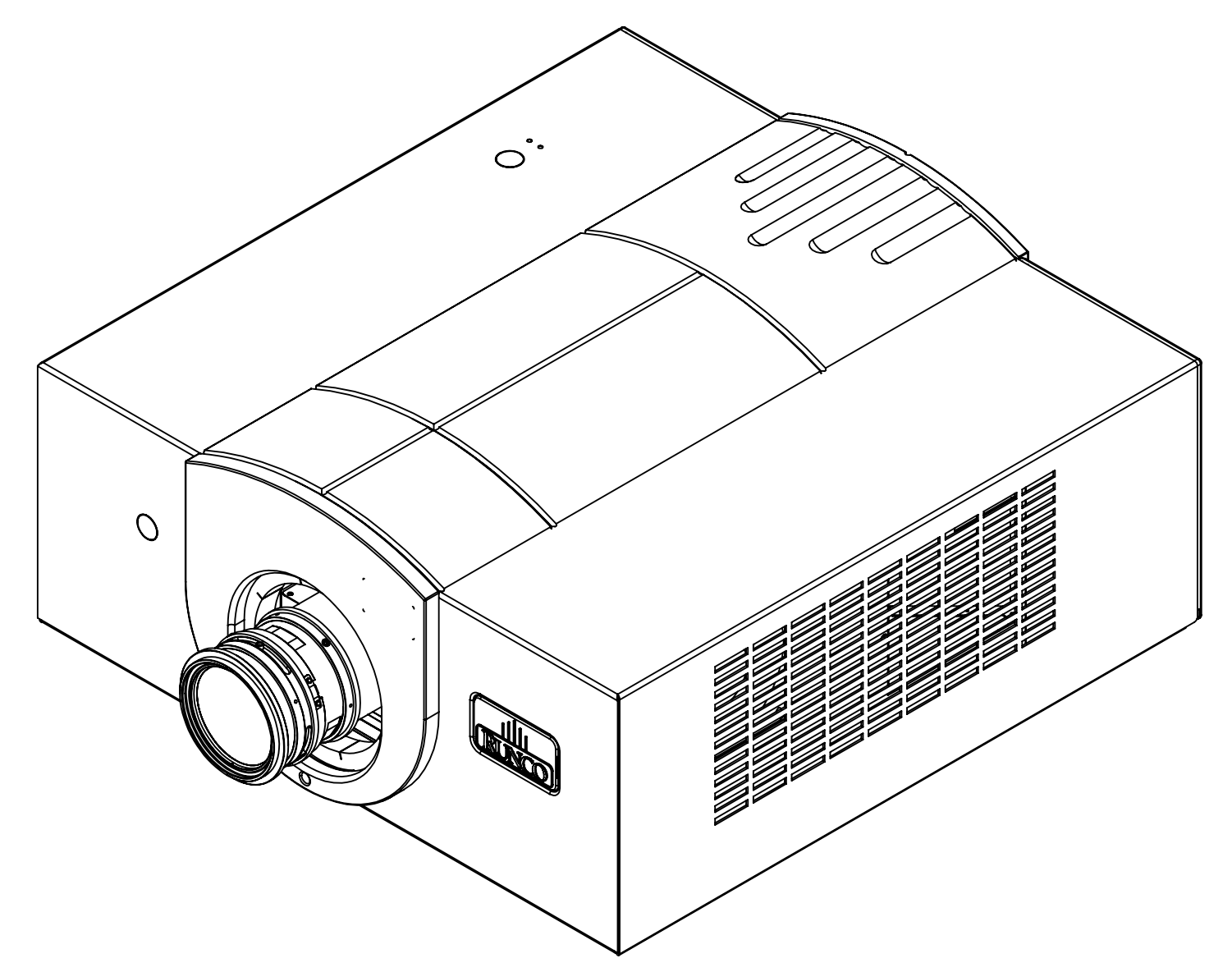
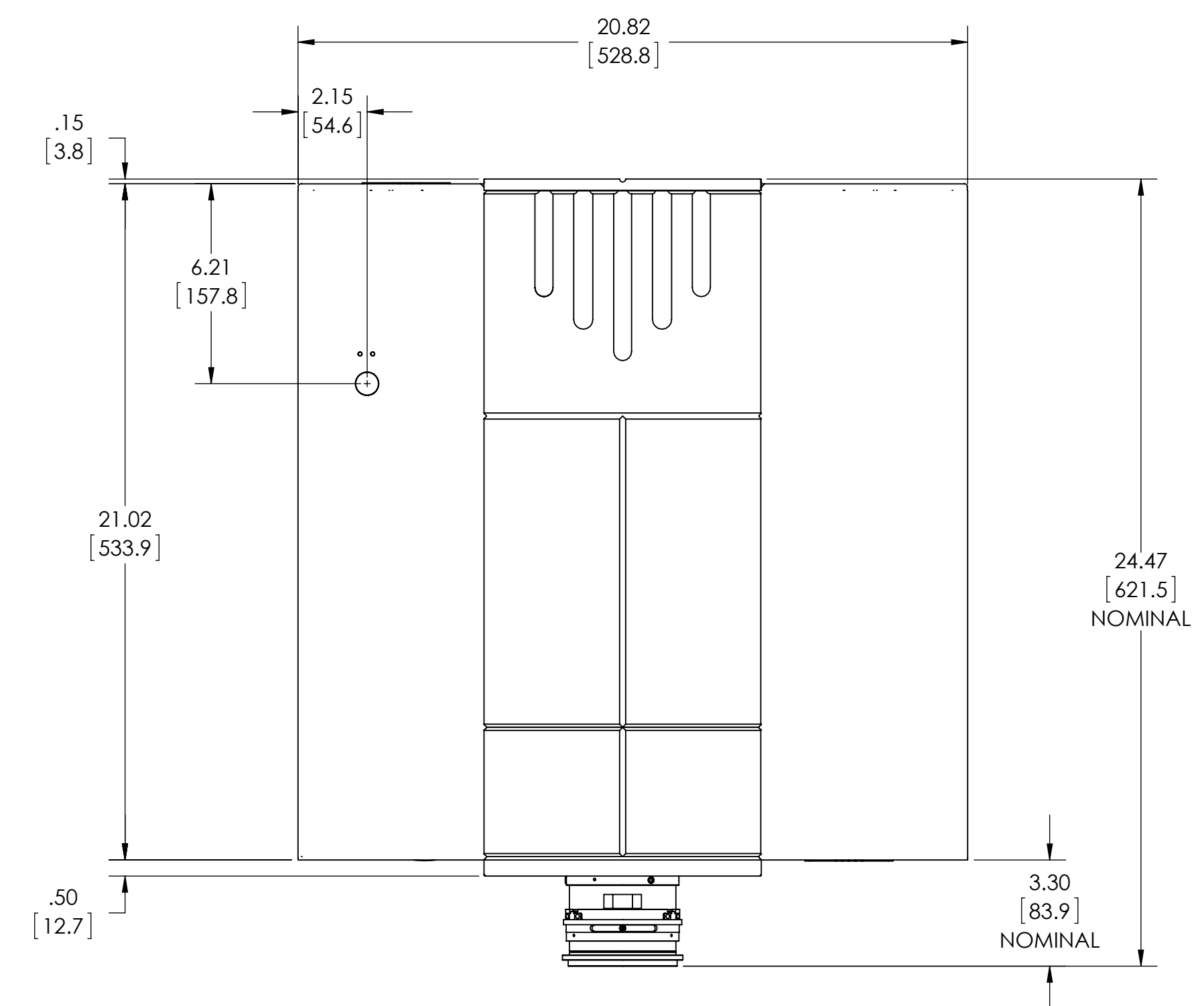


REVISIONS					
ECO	ZONE	REV.	DESCRIPTION	DATE	APPROVED

NOTES:  
 1. ALL DIMENSIONS ARE INCHES [MILLIMETERS], AND ARE FOR REFERENCE ONLY.



UNLESS OTHERWISE SPECIFIED DIMENSIONS ARE IN INCHES.	ENGR BY		 RUNCO INTERNATIONAL 1195 NW COMPTON DRIVE BEAVERTON, OR 97006 USA
	DRAWN BY	G. COOK	
DIMENSIONING AND TOLERANCING PER ASME Y14.5M-1994	CHECKED BY		TITLE <b>OVERALL DIMENSIONS,          Q-750d ULTRA</b>
	USED ON		
THIRD ANGLE PROJECTION	MATERIAL		SIZE D
	FINISH		PART NUMBER
		SCALE 1:4	DO NOT SCALE
<small>THIS DRAWING CONTAINS INFORMATION PROPRIETARY TO PLANAR SYSTEMS, INC. ANY REPRODUCTION IN PART OR WHOLE WITHOUT THE WRITTEN PERMISSION OF PLANAR SYSTEMS IS PROHIBITED. THIS DRAWING IS SUPPLIED FOR INFORMATION, IDENTIFICATION, ENGINEERING, EVALUATION, AND/OR INSPECTION PURPOSES ONLY AND MAY NOT BE USED AS BASIS FOR THE MANUFACTURING OF PRODUCTS OR THE FURNISHING OF SERVICES TO PLANAR SYSTEMS OR TO ANY THIRD PARTY UNLESS AUTHORIZED IN WRITING BY PLANAR SYSTEMS.</small>		SHEET 1 OF 1	REV A