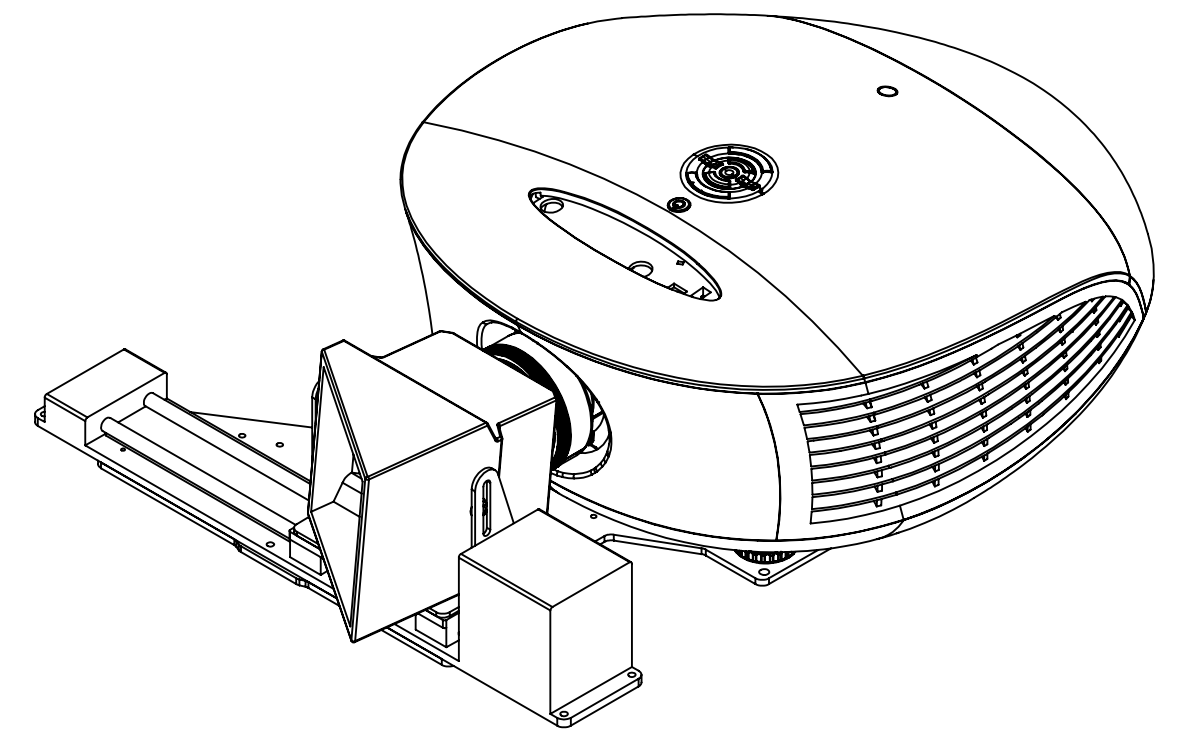
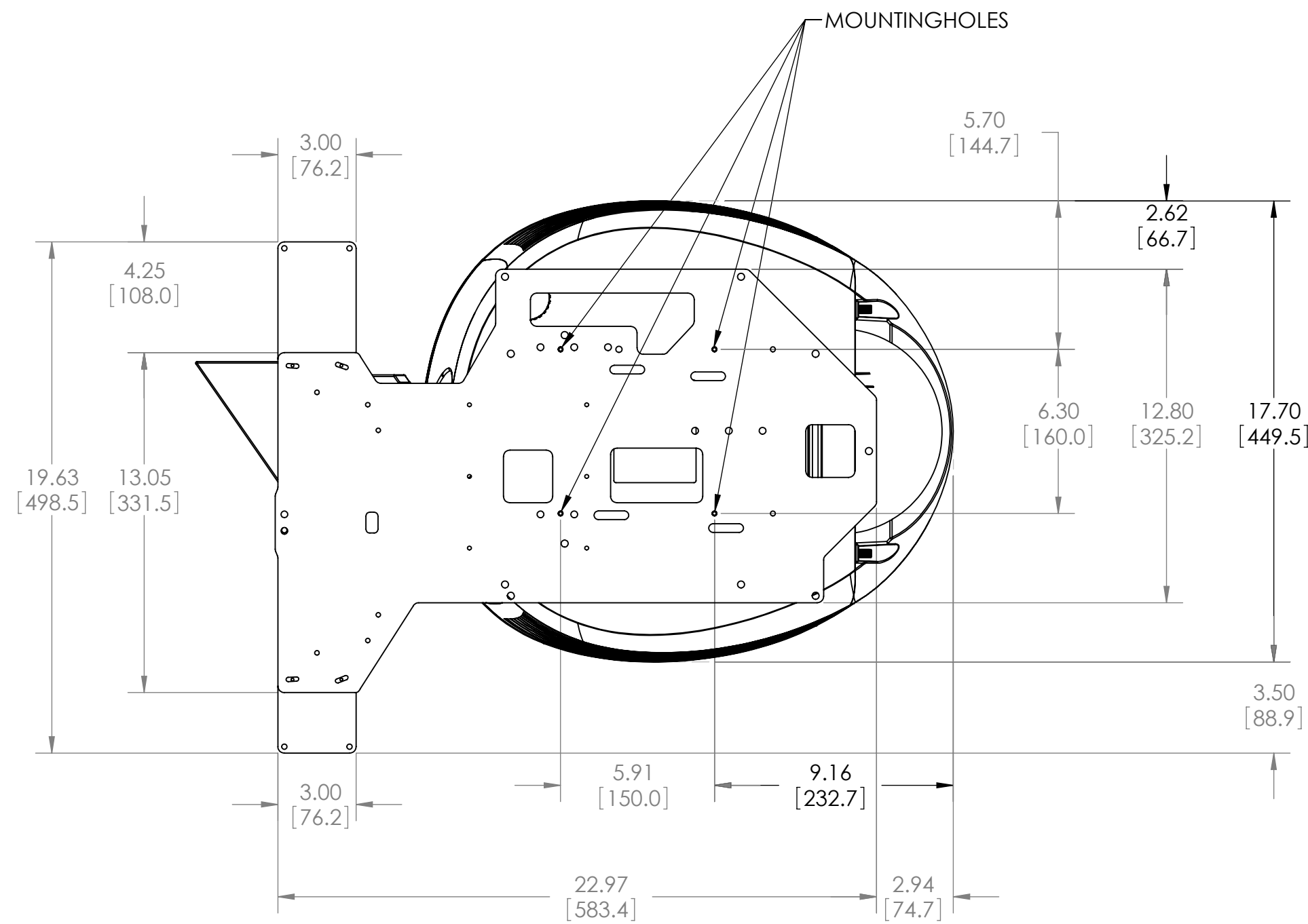
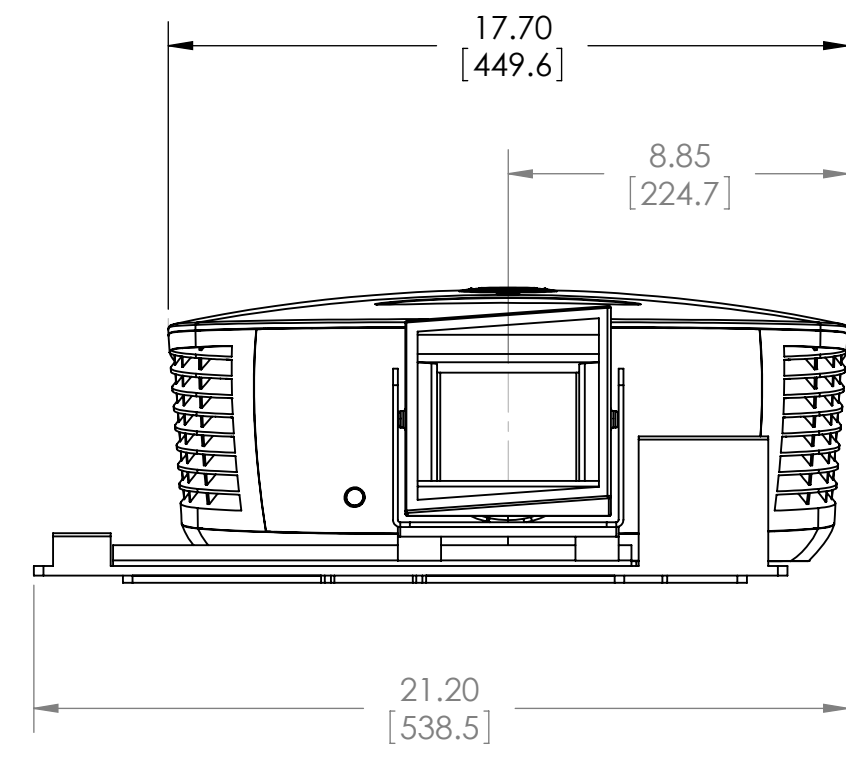
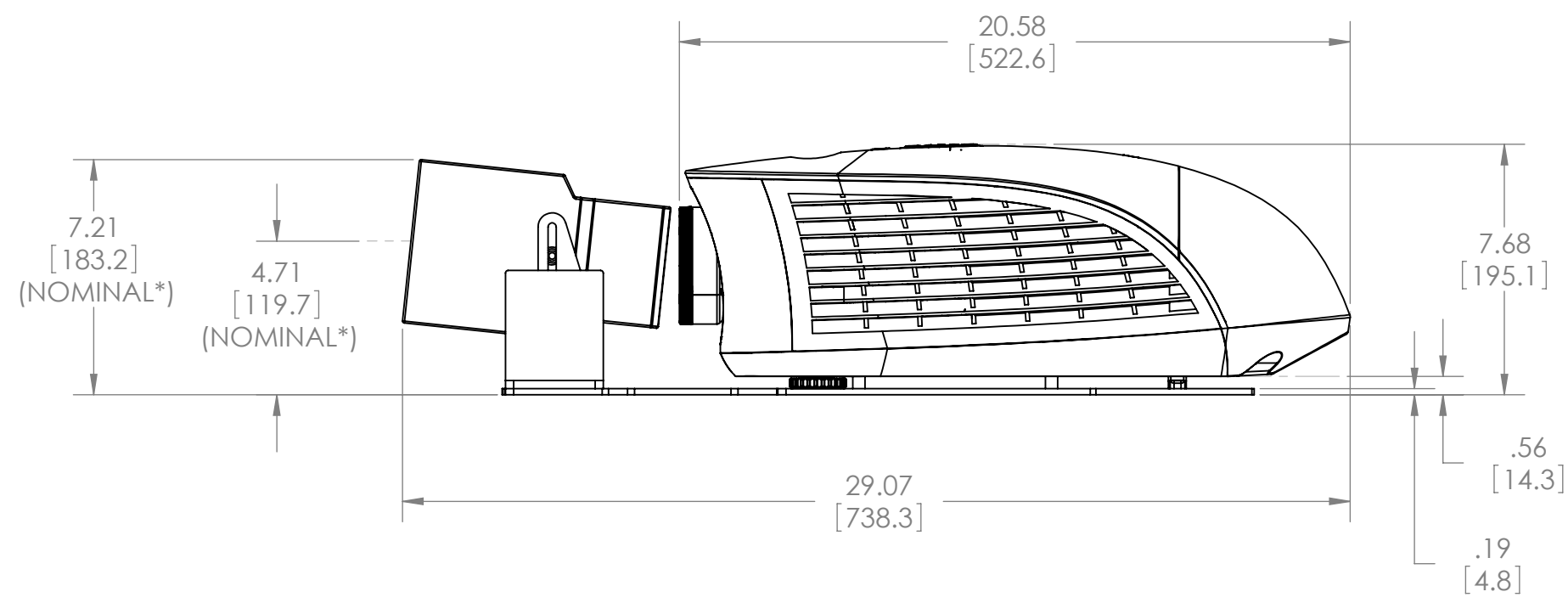


NOTES:

- 1. ALL DIMENSIONS IN INCHES [MILLIMETERS]
- 2. \*LENS HEIGHT AND ANGLE ARE ADJUSTABLE. THE APPROXIMATE AVERAGE (NOMINAL) LENS HEIGHT IS SHOWN.

REVISIONS					
ECO	ZONE	REV.	DESCRIPTION	DATE	APPROVED



UNLESS OTHERWISE SPECIFIED DIMENSIONS ARE IN INCHES.		ENGR BY P. WILLIAMS	01-17-2011	<b>RUNCO INTERNATIONAL</b> 1195 NW COMPTON DRIVE BEAVERTON, OR 97006 USA  <b>LS-HB CINEGLIDE OVERALL DIMENSIONS</b>	
TOLERANCES - UNLESS OTHERWISE SPECIFIED		DRAWN BY P. WILLIAMS	01-17-2011		
.X= ±.1	.XXX= ±.005	CHECKED BY			
.XX= ±.01	ANGLES= ±1°	USED ON RUNCO LS-HB			
DIMENSIONING AND TOLERANCING PER ASME Y14.5M-1994		MATERIAL		TITLE	
THIRD ANGLE PROJECTION		FINISH		SIZE C	PART NUMBER
				DRAWING NUMBER LS-HB_CineGlide_Overall_Dimensions	
				SCALE 1:5	DO NOT SCALE
				SHEET 1 OF 1	

THIS DRAWING CONTAINS INFORMATION PROPRIETARY TO PLANAR SYSTEMS, INC. ANY REPRODUCTION IN PART OR WHOLE WITHOUT THE WRITTEN PERMISSION OF PLANAR SYSTEMS IS PROHIBITED. THIS DRAWING IS SUPPLIED FOR INFORMATION, IDENTIFICATION, ENGINEERING EVALUATION, AND/OR INSPECTION PURPOSES ONLY AND MAY NOT BE USED AS BASIS FOR THE MANUFACTURING OF PRODUCTS OR THE FURNISHING OF SERVICES TO PLANAR SYSTEMS OR TO ANY THIRD PARTY UNLESS AUTHORIZED IN WRITING BY PLANAR SYSTEMS.