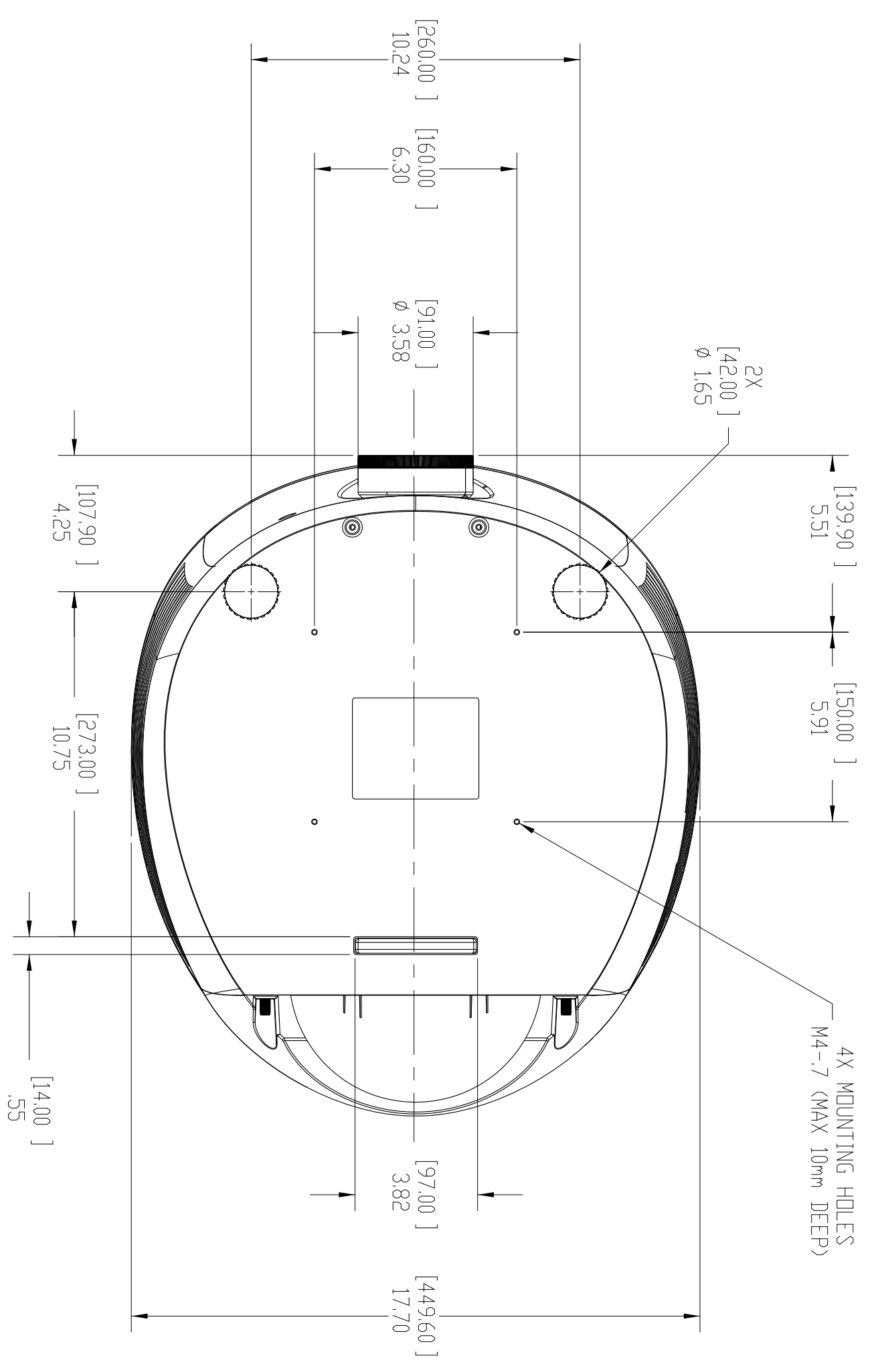
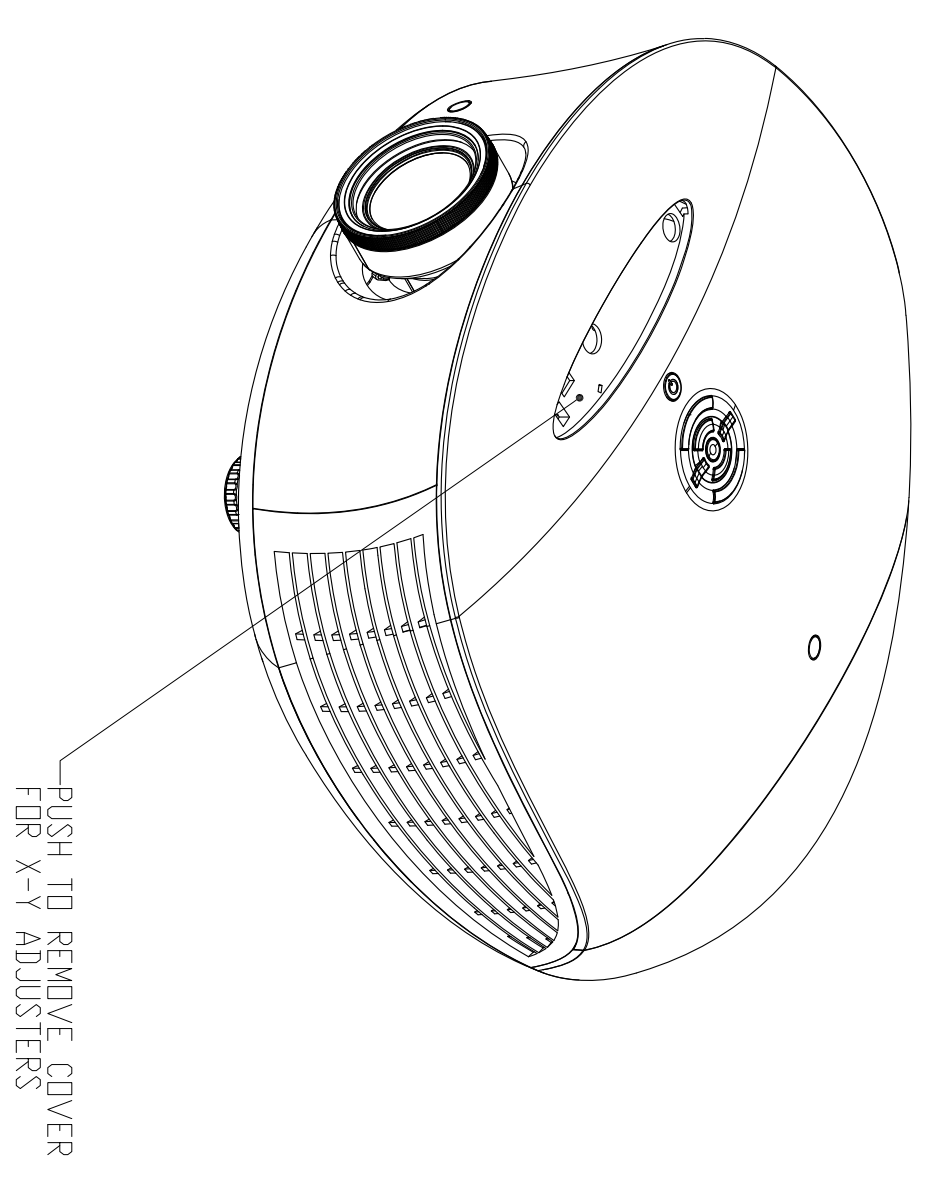
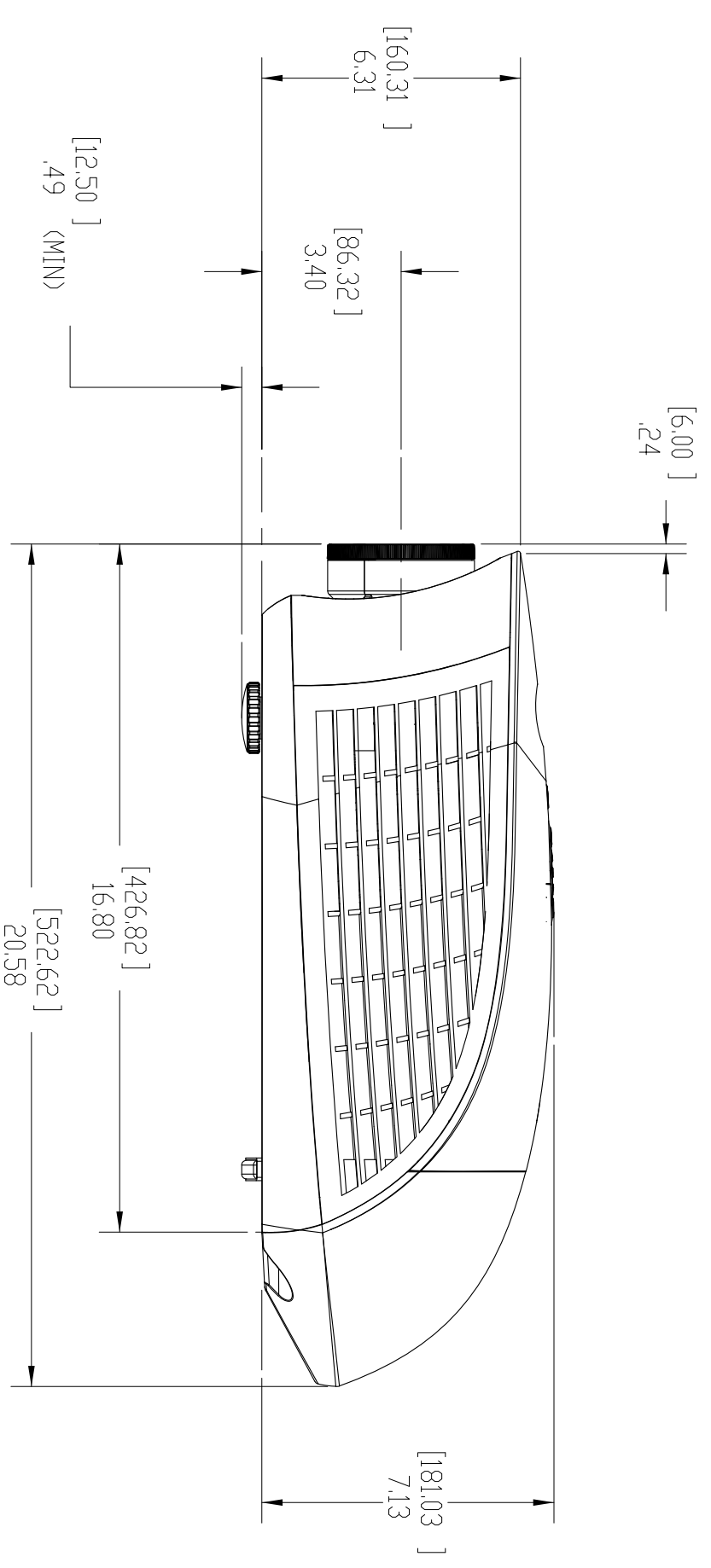


NOTES:
1. ALL DIMENSIONS IN INCHES (MILLIMETERS).



THE DRAWING CONTAINS INFORMATION CONSIDERED TO BE A TRADE SECRET OR AN UNDISCLOSED INVENTION OF THE DRAWING ORIGINATOR OR A TRADE SECRET OR AN UNDISCLOSED INVENTION OF THE DRAWING ORIGINATOR'S EMPLOYER. IT IS HEREBY AGREED THAT THE INFORMATION CONTAINED HEREIN IS TO BE KEPT CONFIDENTIAL AND NOT TO BE DISCLOSED TO ANY OTHER PARTY WITHOUT THE WRITTEN PERMISSION OF THE DRAWING ORIGINATOR OR THE DRAWING ORIGINATOR'S EMPLOYER. THIS AGREEMENT SHALL BE BINDING ON ALL PERSONS AND ENTITIES WHOSE SERVICES ARE USED IN THE PREPARATION OF THIS DRAWING ORIGINATOR'S TRADE SECRET OR UNDISCLOSED INVENTION. ANY VIOLATION OF THIS AGREEMENT SHALL BE CAUSALY LINKED TO THE DRAWING ORIGINATOR'S TRADE SECRET OR UNDISCLOSED INVENTION AND SHALL BE SUBJECT TO THE REMEDY PROVIDED IN THE PATENT ACT AND IN THE TRADE SECRET ACT.

TOLERANCES - UNLESS OTHERWISE SPECIFIED			
X = ±.1	XXX = ±.005		
DIMENSIONING AND TOLERANCING PER ASME Y14.5M-1994 HIDDEN SHADE PROJECTION			
TITLE OVERALL DIMENSIONS LS-5		DATE 14	
REV A		SCALE DO NOT SCALE	
1195 NW COMPTON DRIVE BEAVERTON, OR 97006 USA THE BOARD'S ENGINEERING HEREIN IS THE PROPERTY OF RUNCO			