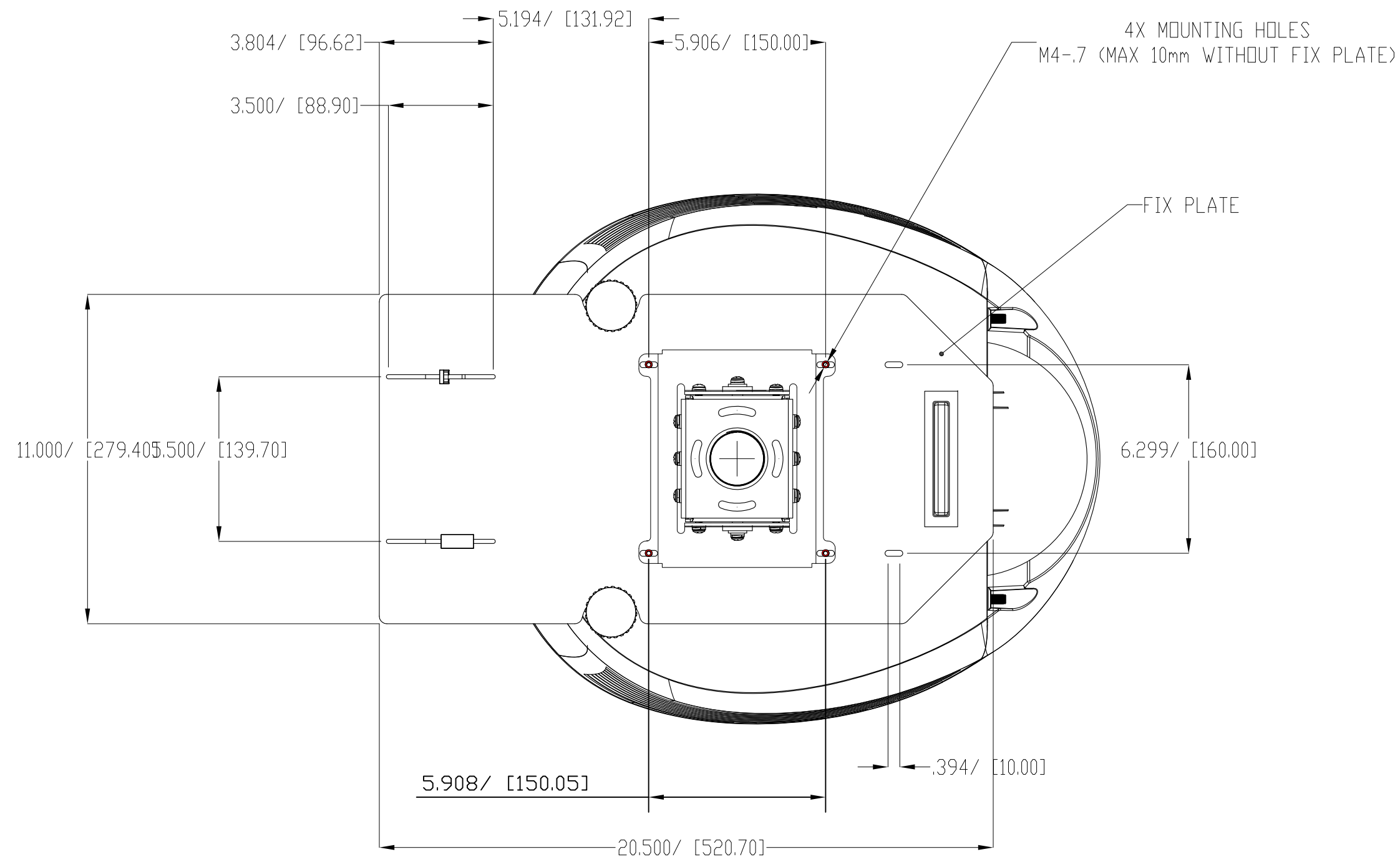
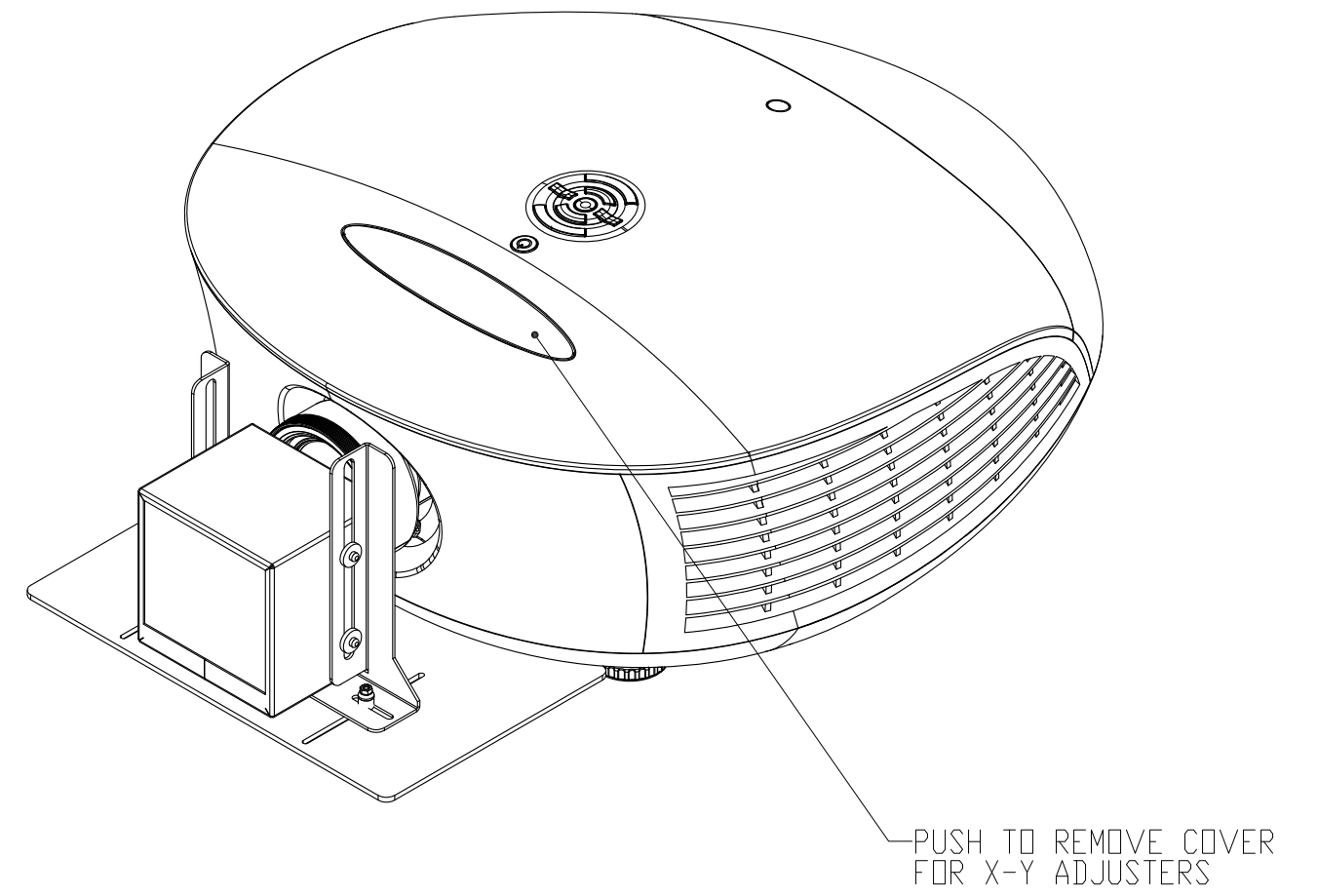
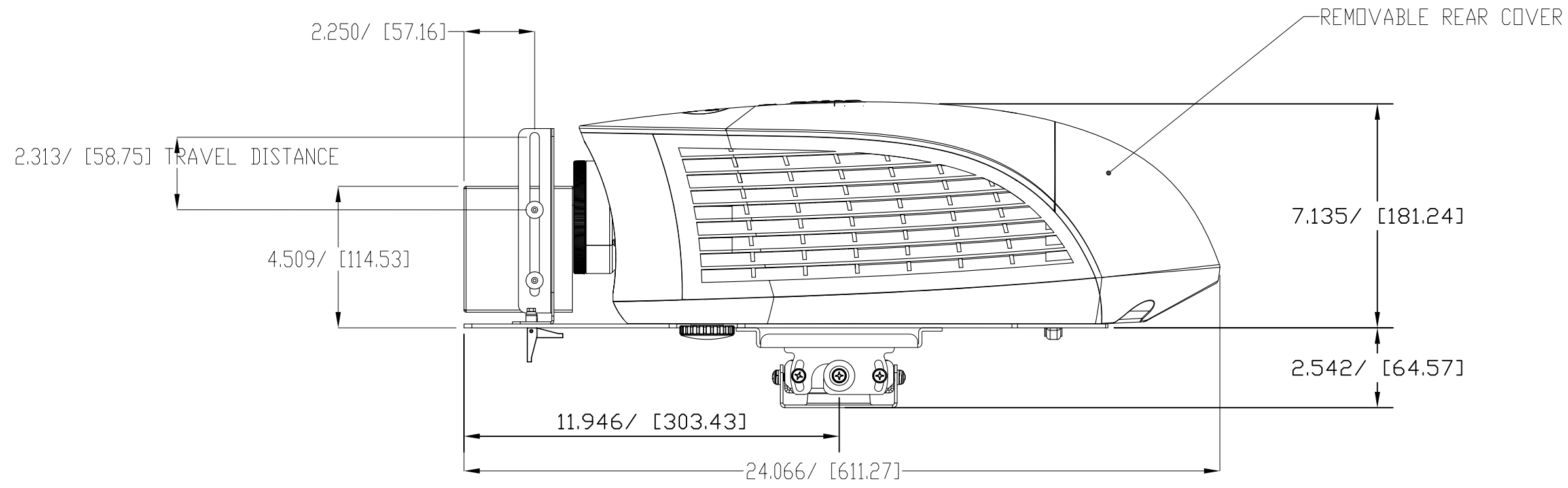


NOTES:  
1. ALL DIMENSIONS ARE IN INCH [MILLIMETER].



THIS DRAWING CONTAINS INFORMATION PROPRIETARY TO PLANNAR SYSTEMS, INC. ANY REPRODUCTION IN PART OR WHOLE WITHOUT THE WRITTEN PERMISSION OF PLANNAR SYSTEMS IS PROHIBITED. THIS DRAWING IS SUPPLIED FOR INFORMATION, IDENTIFICATION, ENGINEERING EVALUATION, AND/OR INSPECTION PURPOSES ONLY AND MAY NOT BE USED AS BASIS FOR THE MANUFACTURING OF PRODUCTS OR THE FURNISHING OF SERVICES TO PLANNAR SYSTEMS OR TO ANY THIRD PARTY UNLESS AUTHORIZED IN WRITING BY PLANNAR SYSTEMS.

UNLESS OTHERWISE SPECIFIED DIMENSIONS ARE IN INCHES.		<b>THE WORLD'S FINEST HOME THEATER PRODUCTS™</b>	
TOLERANCES - UNLESS OTHERWISE SPECIFIED .X= ±.1      .XXX= ±.005 .XX= ±.01      ANGLES= ±1° DIMENSIONING AND TOLERANCING PER ASME Y14.5M-1994 THIRD ANGLE PROJECTION			
		TITLE <b>OVERALL DIM DRAWING WITH WHITNEY CINEWIDE &amp; CEILING MOUNT, LS-5</b>	
SIZE	PART NUMBER	DRAWING NUMBER	REV
C			A
SCALE	1:4	DO NOT SCALE	SHEET 1 OF 1