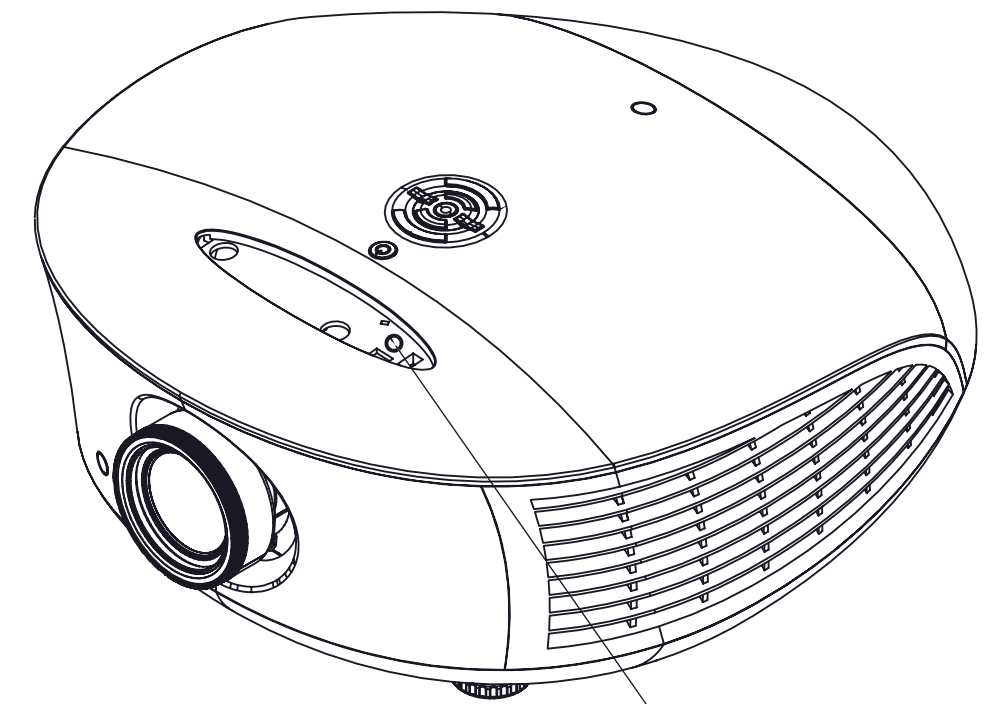
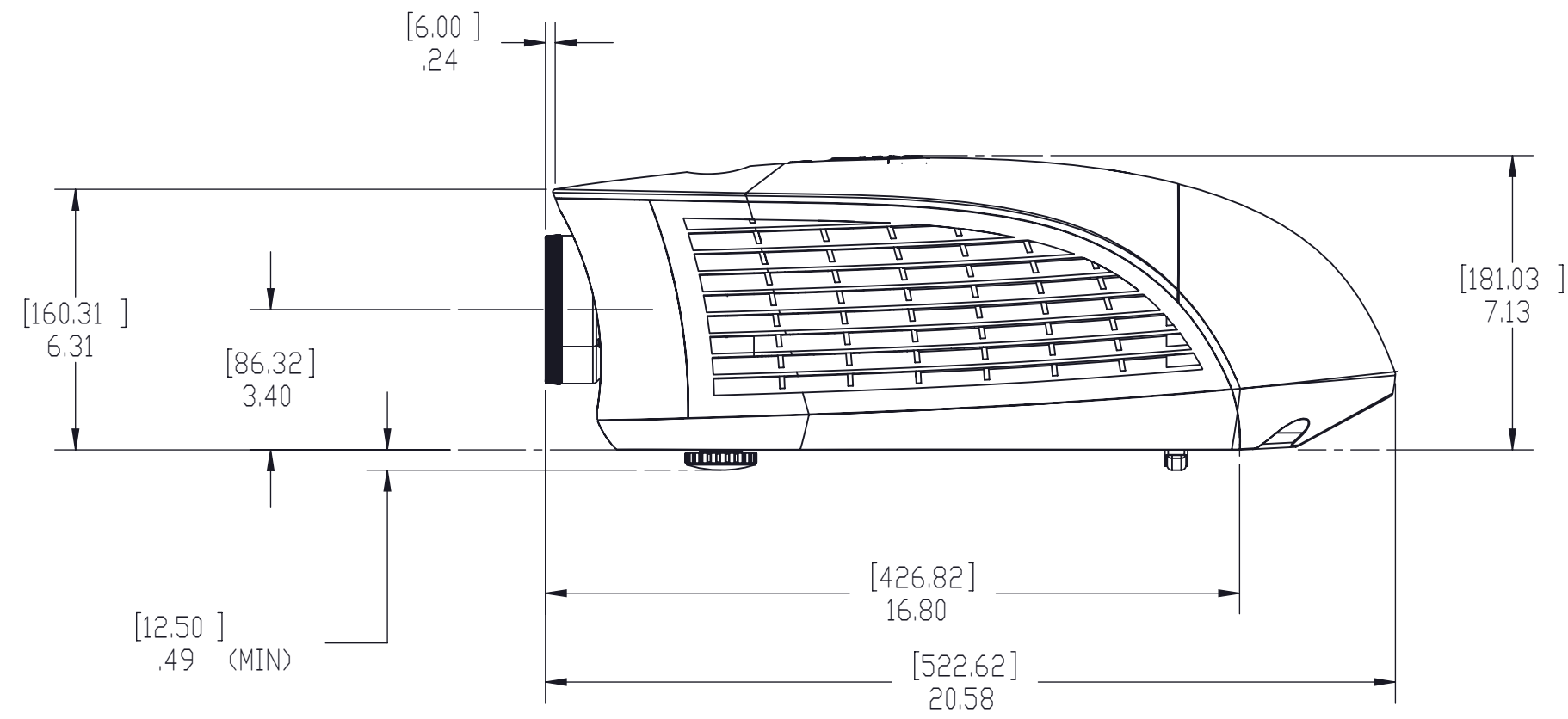
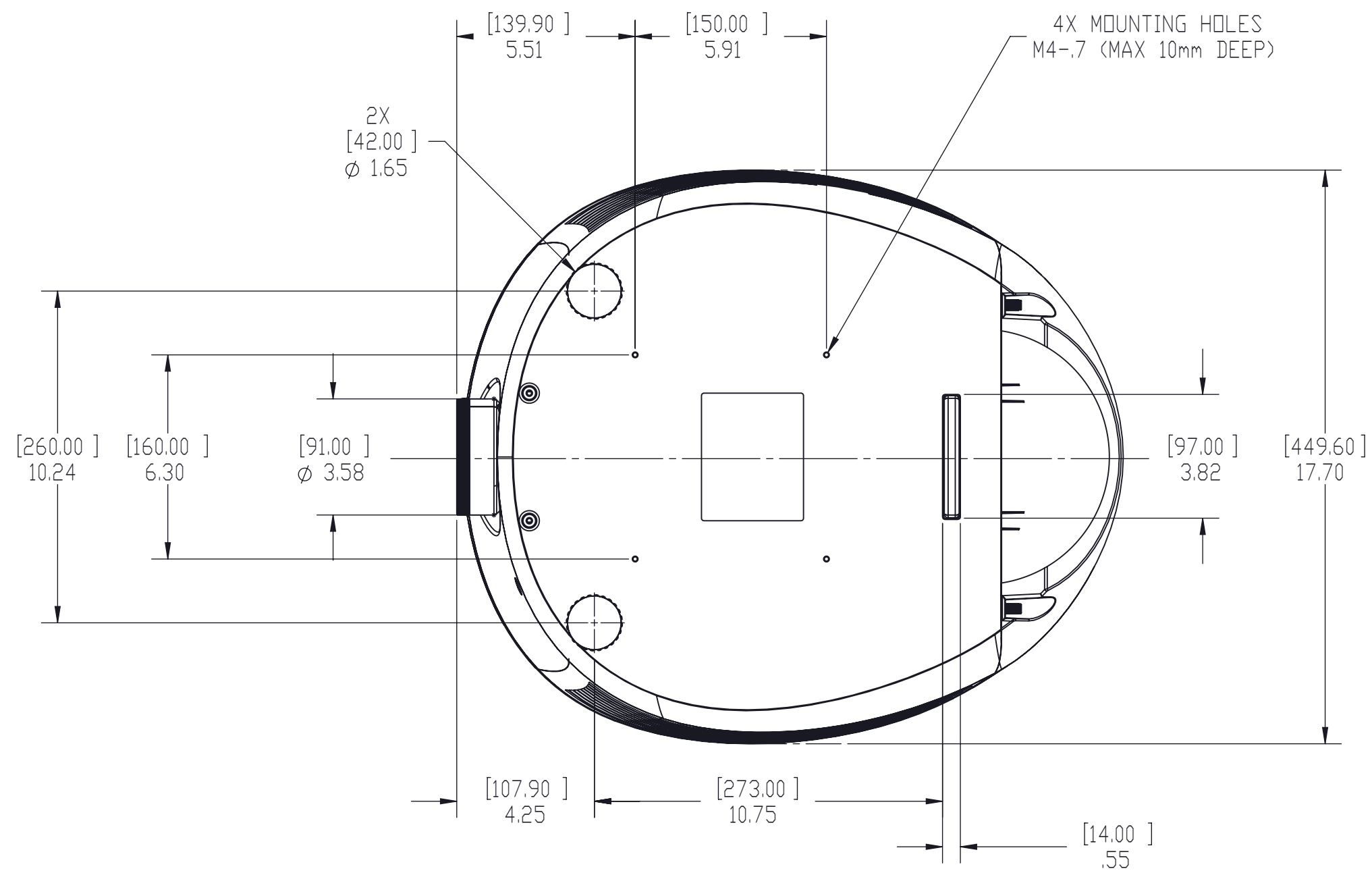


NOTES:
1. ALL DIMENSIONS IN INCHES (MILLIMETERS).



PUSH TO REMOVE COVER FOR X-Y ADJUSTERS



THIS DRAWING CONTAINS INFORMATION PROPRIETARY TO PLANAR SYSTEMS, INC. ANY REPRODUCTION IN PART OR WHOLE WITHOUT THE WRITTEN PERMISSION OF PLANAR SYSTEMS IS PROHIBITED. THIS DRAWING IS SUPPLIED FOR INFORMATION, IDENTIFICATION, ENGINEERING, EVALUATION, AND/OR INSPECTION PURPOSES ONLY AND MAY NOT BE USED AS BASIS FOR THE MANUFACTURING OF PRODUCTS OR THE FURNISHING OF SERVICES TO PLANAR SYSTEMS OR TO ANY THIRD PARTY UNLESS AUTHORIZED IN WRITING BY PLANAR SYSTEMS.

UNLESS OTHERWISE SPECIFIED DIMENSIONS ARE IN INCHES.		1195 NW COMPTON DRIVE BEAVERTON, OR 97006 USA	
TOLERANCES - UNLESS OTHERWISE SPECIFIED .X= ±.1 .XXX= ±.005 .XX= ±.01 ANGLES= ±1°		TITLE OVERALL DIMENSIONS LS-1	
DIMENSIONING AND TOLERANCING PER ASME Y14.5M-1994		SCALE C	
THIRD ANGLE PROJECTION 		PART NUMBER	DRAWING NUMBER
		SHEET 1 OF 1	REV A
		DO NOT SCALE	