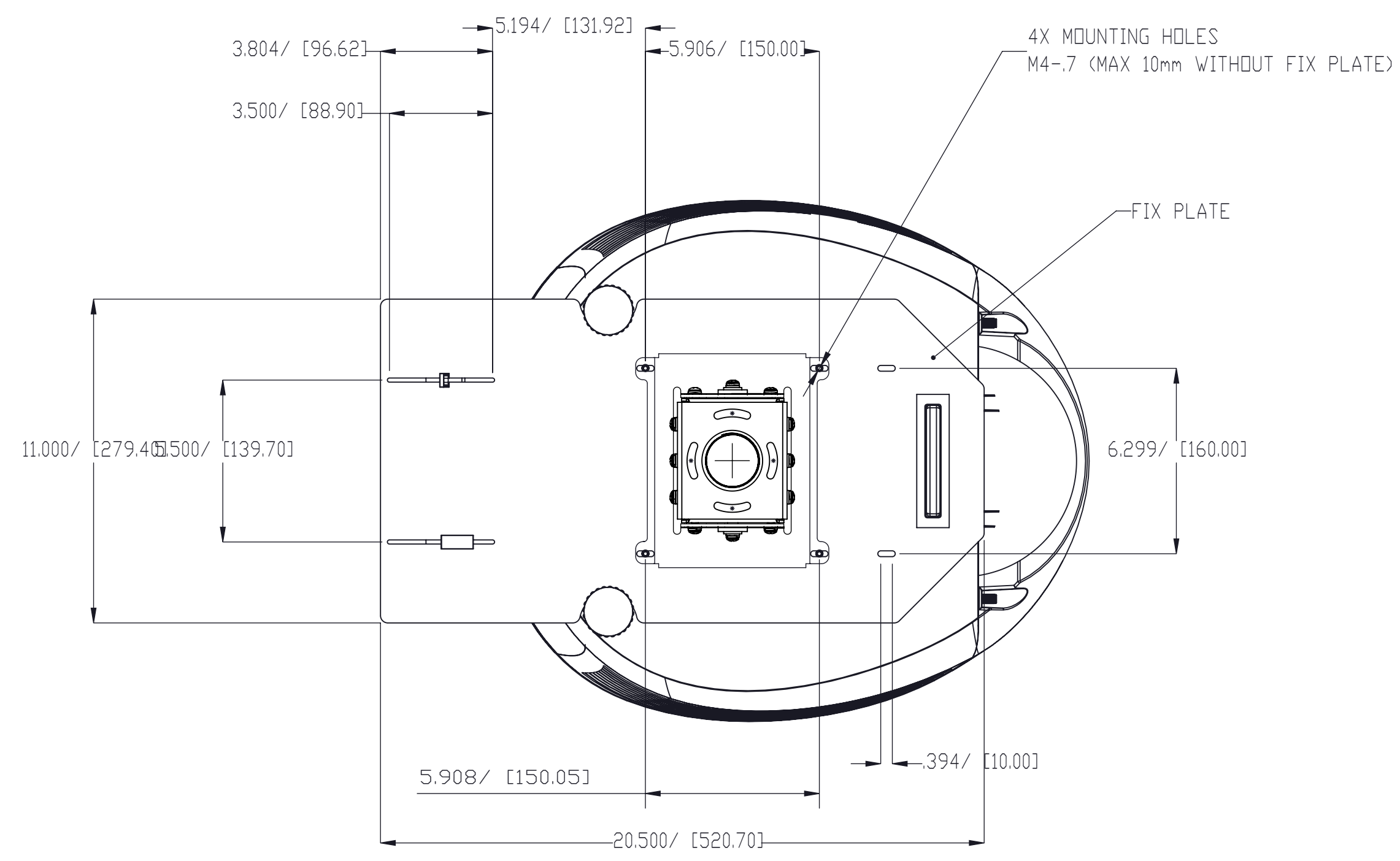
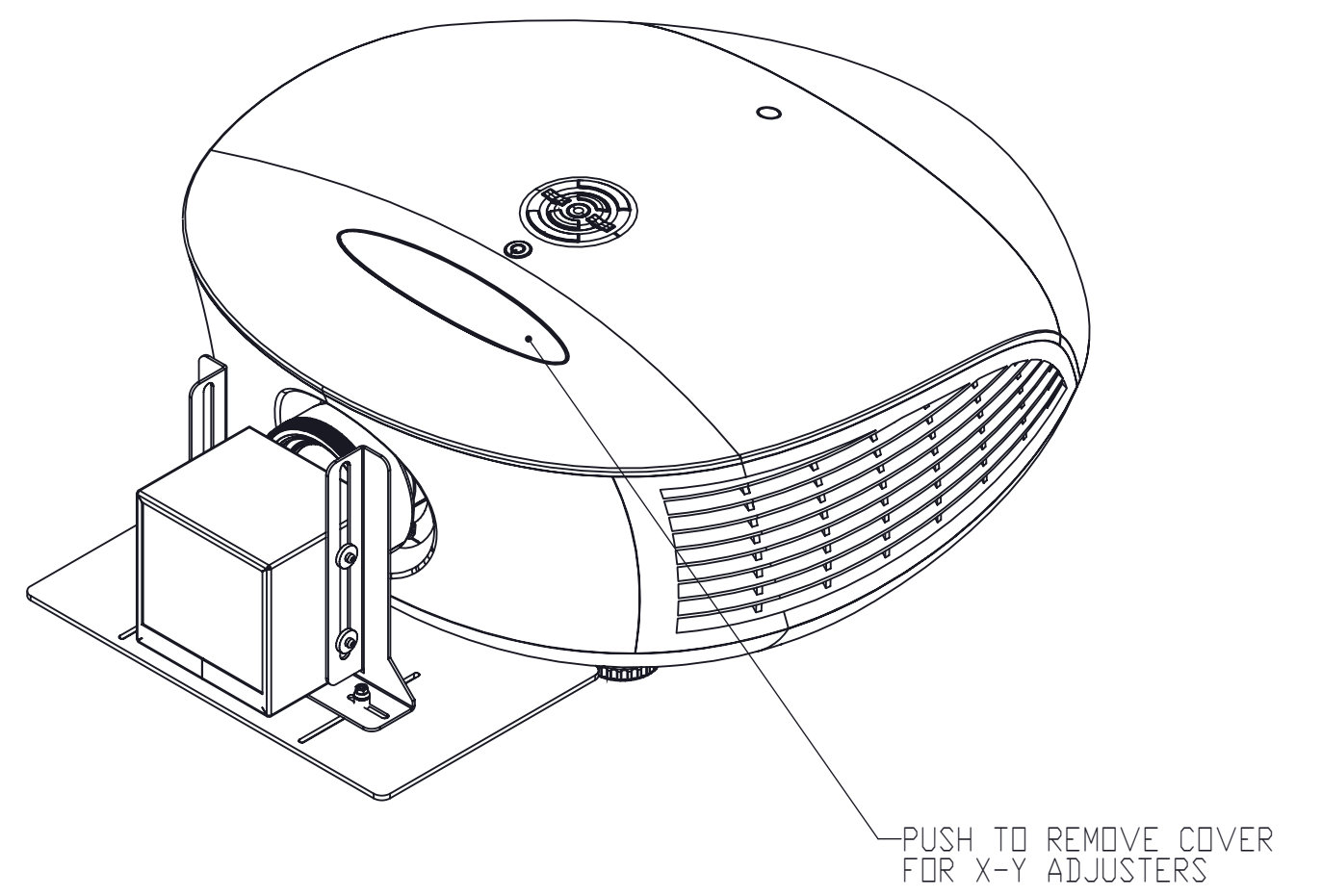
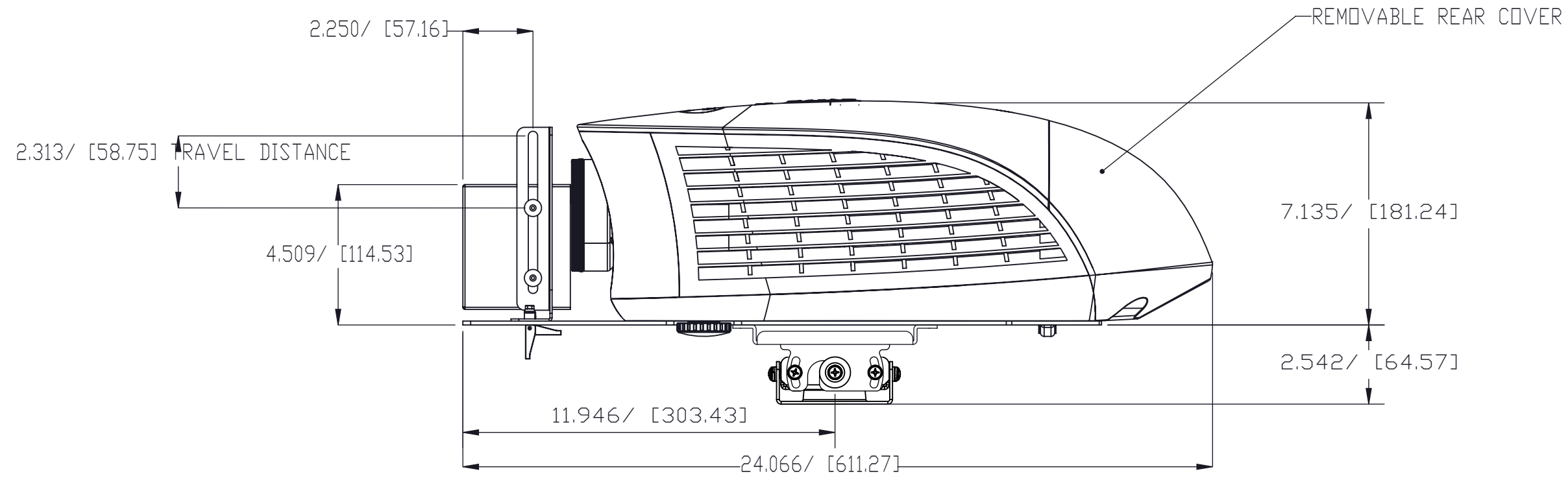


NOTES:  
 1. ALL DIMENSIONS ARE IN INCH [MILLIMETER].



THIS DRAWING CONTAINS INFORMATION PROPRIETARY TO PLANNING SYSTEMS, INC. ANY REPRODUCTION IN PART OR WHOLE WITHOUT THE WRITTEN PERMISSION OF PLANNING SYSTEMS IS PROHIBITED. THIS DRAWING IS SUPPLIED FOR INFORMATION, IDENTIFICATION, ENGINEERING, EVALUATION, AND/OR INSPECTION PURPOSES ONLY AND MAY NOT BE USED AS BASIS FOR THE MANUFACTURING OF PRODUCTS OR THE FURNISHING OF SERVICES TO PLANNING SYSTEMS OR TO ANY THIRD PARTY UNLESS AUTHORIZED IN WRITING BY PLANNING SYSTEMS.

 <b>Runco</b> The World's Finest Home Theater Products™		TITLE <b>OVERALL DIM DRAWING WITH WHITNEY CINEWIDE &amp; CEILING MOUNT, LS-1</b>	
TOLERANCES - UNLESS OTHERWISE SPECIFIED .X= ±.1     .XXX= ±.005 .XX= ±.01     ANGLES= ±1° DIMENSIONING AND TOLERANCING PER ASME Y14.5M-1994 THIRD ANGLE PROJECTION		SIZE <b>C</b>	REV <b>A</b>
SCALE <b>1:4</b>		SHEET <b>1 OF 1</b>	