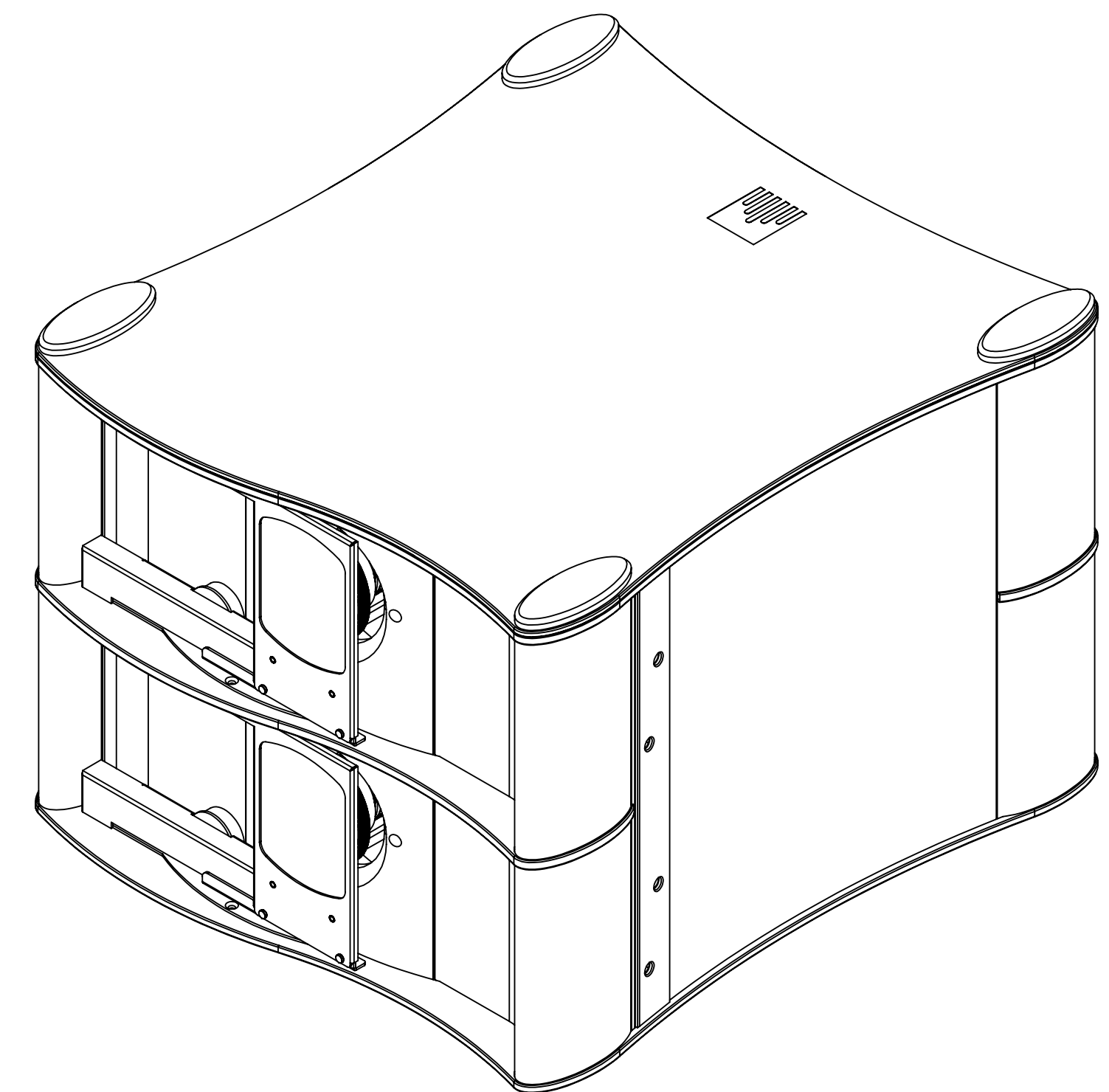
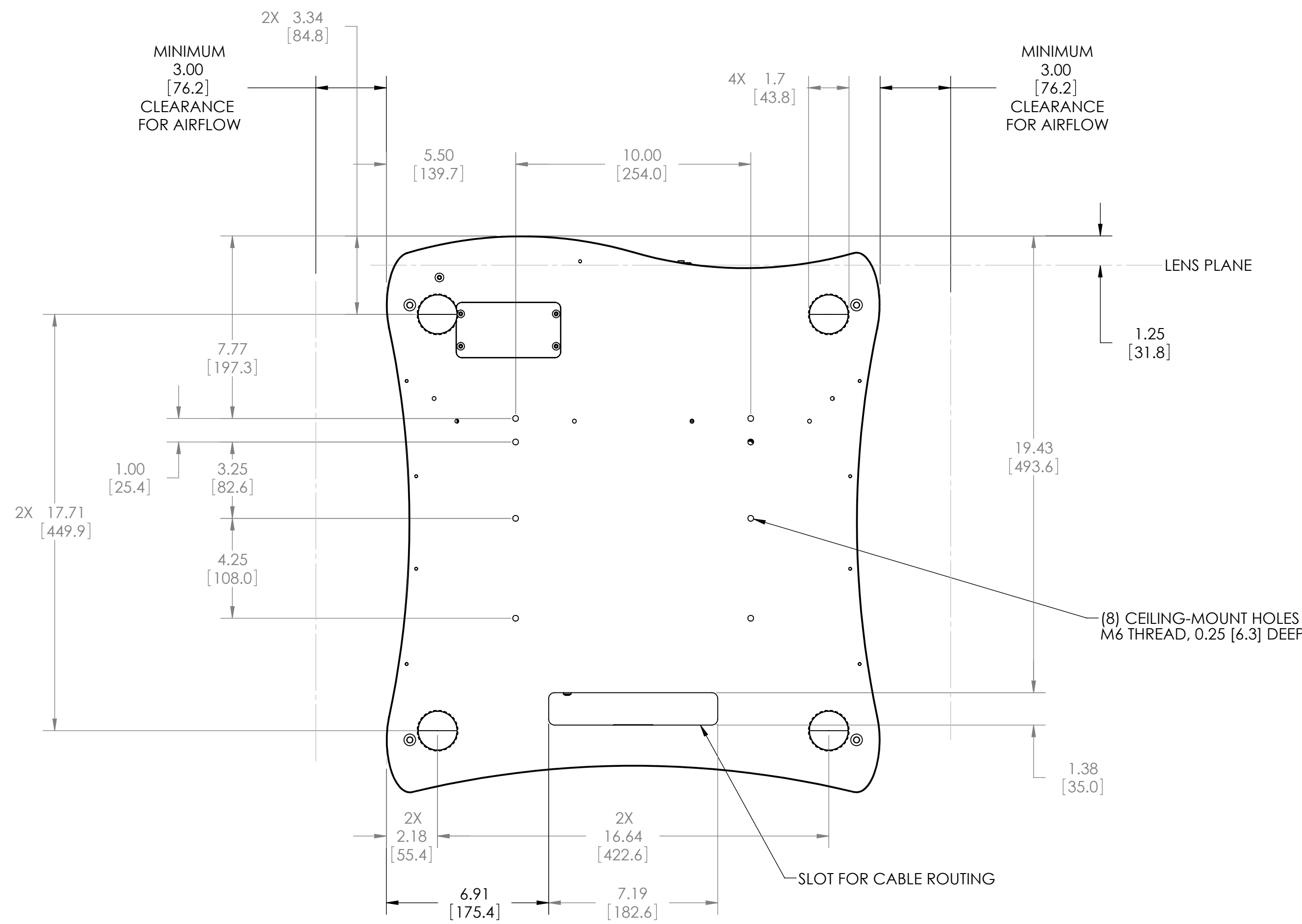
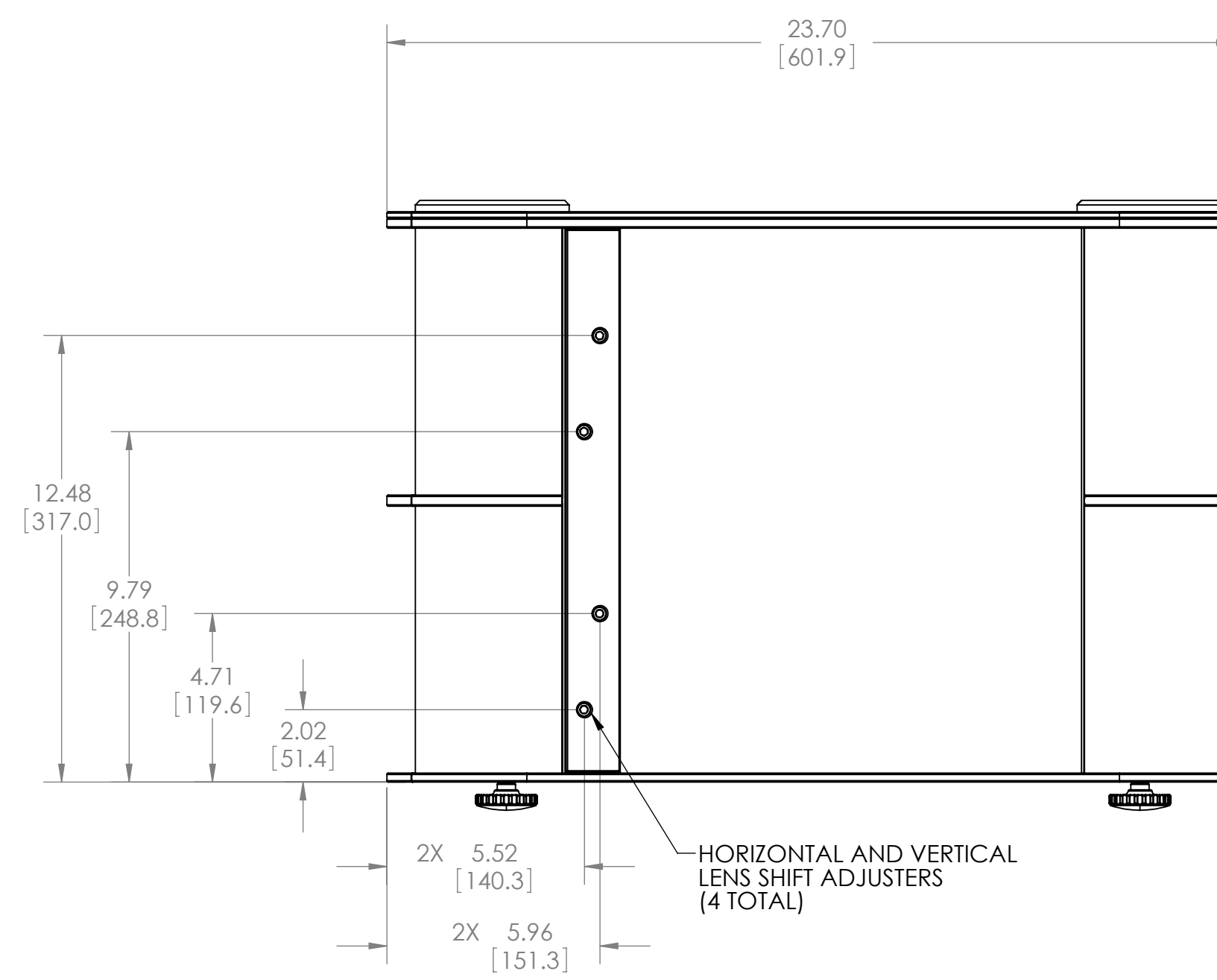
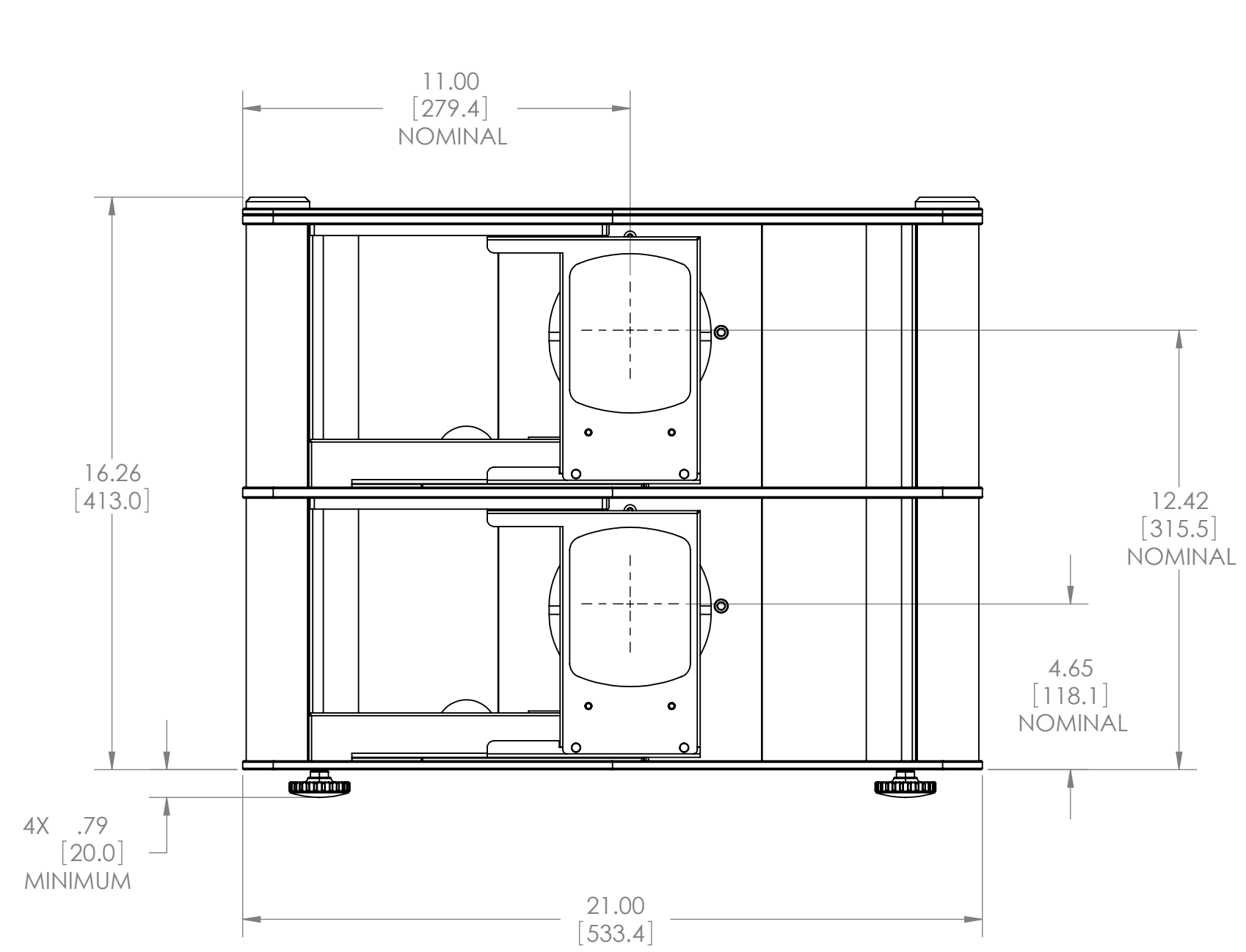


NOTES:

1. ALL DIMENSIONS IN INCHES [MILLIMETERS]
2. DIMENSIONS SUBJECT TO CHANGE.



UNLESS OTHERWISE SPECIFIED DIMENSIONS ARE IN INCHES.		ENGR BY	P. Williams	12-15-2010	<b>RUNCO INTERNATIONAL</b> 1195 NW COMPTON DRIVE BEAVERTON, OR 97006 USA
TOLERANCES - UNLESS OTHERWISE SPECIFIED		DRAWN BY	P. Williams	03-18-2011	
X= ±.1	XXX= ±.005	CHECKED BY			TITLE
XX= ±.01	ANGLES= ±1°	USED ON	RUNCO D-73D		<b>D-73d</b> Overall Dimensions
DIMENSIONING AND TOLERANCING PER ASME Y14.5M-1994		MATERIAL			SIZE
THIRD ANGLE PROJECTION		FINISH			PART NUMBER
					D-73d_Overall_Dimensions
					REV
					D
					SCALE
					1:4
					DO NOT SCALE
					SHEET
					1 OF 1

THIS DRAWING CONTAINS INFORMATION PROPRIETARY TO PLANAR SYSTEMS, INC. ANY REPRODUCTION IN PART OR WHOLE WITHOUT THE WRITTEN PERMISSION OF PLANAR SYSTEMS IS PROHIBITED. THIS DRAWING IS SUPPLIED FOR INFORMATION, IDENTIFICATION, ENGINEERING, EVALUATION, AND/OR INSPECTION PURPOSES ONLY AND MAY NOT BE USED AS A BASIS FOR THE MANUFACTURING OF PRODUCTS OR THE FURNISHING OF SERVICES TO PLANAR SYSTEMS OR TO ANY THIRD PARTY UNLESS AUTHORIZED IN WRITING BY PLANAR SYSTEMS.