



Dimensions and Weight (w/o stand): Height: 10.04 in (25.5 cm)  
 Width: 20.81 in (52.8 cm)  
 Depth: 29.77 in (75.6 cm) without lens; 36.23" (cm) with lens  
 Weight: 99.21 lbs (45 kg) (without lens)

Mounting Options: Table/Floor or Optional Ceiling; can also be installed into rear-projection set-up (with or without mirror)

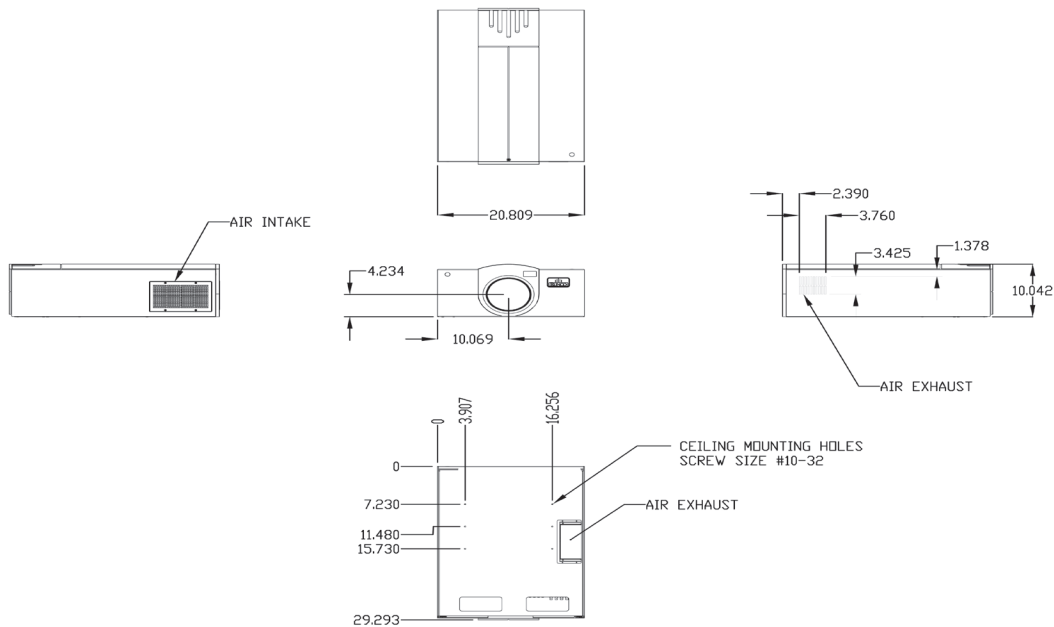
Case Finish: Runco ColourPalette™ custom color options & color matching

Service Accessibility: 6 in around the lamp door for lamp replacement

Air Flow Clearance Requirement: 8 in around the projector

Ambient Lighting Recommendation: Projection systems work best in controlled lighting environments

Options Available: Runco ColourPalette™, multiple lens options for flexible throw distances



\*The viewing angle at which the back of the display is visible

For more information visit [www.Runco.com](http://www.Runco.com) or call 800-237-8626 or +1-503-748-1100.

Design parameters and drawings are subject to change without notice. ©2010 Runco, all rights reserved.