



**PLL2210MW  
LED LCD Monitor**

**USER'S GUIDE**

[www.planar.com](http://www.planar.com)

# Content

Operation Instructions.....	1
Unpacking Instructions .....	3
Safety Precautions .....	3
First Setup.....	5
Front View of the Product .....	6
Rear View of the Product .....	7
Quick Installation .....	8
Basic Operation.....	9
Advanced Operation—OSD Menu.....	11
Supporting Timing Modes .....	14
Technical Information .....	15
Wall-mount instruction .....	16
Care and Maintenance.....	17
Troubleshooting.....	17
Planar Support .....	18

## Operation Instructions

Thank you for purchasing this LED LCD Monitor, a high-resolution multi-scan color LED LCD Monitor.

Please read this guide thoroughly before installation.

### **FCC RADIO FREQUENCY INTERFERENCE STATEMENT WARNING: (FOR FCC CERTIFIED MODELS)**

This LED LCD Monitor has been tested and found compliant with the limits for a Class B digital device, pursuant to part 15 of the FCC Rules. These limits are designed to provide proper protection against harmful interference to a residential installation. This LED LCD Monitor generates, uses, and can radiate radio frequency energy. Harmful interference to radio communication may be led as a result if it's not properly installed and used. However, there is no guarantee that interference will not occur in a particular installation. If this LED LCD Monitor does cause serious interference to radio or television reception, resetting the LED LCD Monitor may determine it. Moreover, users are encouraged to correct interference by doing one or more of the following:

- Reorient or relocate the receiving antenna.
- Move the LED LCD Monitor and the receiver further away from each other.
- Connect the LED LCD Monitor into an outlet on a circuit different from that to which the receiver is connected.
- Consult your local dealer or an qualified technician.

### **FCC Warning:**

To assure a continued FCC compliance, a user must use a grounded power supply cord and the provided shielded video interface cable with bonded ferrite cores. Also, any unauthorized changes or modifications to this LED LCD Monitor would void the user's authority to operate this device.

**Note:** If necessary, shielded interface cables and AC power cord must be used to meet the emission level limits.

## **COMMUNIQUE D'AVERTISSEMENT DE LA FCC CONCERNANT LES INTERFERENCE DE FREQUENCE RADIO: (SEULEMENT POUR MODELES CERTIFIE PAR LA FCC)**

Ce moniteur a été testé et à été trouvé conforme aux limites pour un appareil numérique de Classe B, suivant la partie 15 des règlements de la FCC. Ces limites ont été développées pour offrir une protection satisfaisante contre les interférences nuisibles dans une installation résidentielle. Ce moniteur génère, utilise et peut radier de l'énergie de fréquence radio. Ceci peut causer des interférences nuisibles à des communication radio si l'appareil n'est pas convenablement installé et utilisé. Il n'y a néanmoins aucune garantie que des interférences n'apparaîtront pas dans une installation particulière. Si ce moniteur cause de sérieuses interférences à la réception de signaux radios ou télévisées, une possibilité est de réinitialiser le moniteur. Les usagers sont aussi encouragés à corriger les interférences en appliquant une ou plusieurs des démarches suivantes:

- Réorientez ou déplacez l'antenne de réception.
- Placez le moniteur et le récepteur plus loin l'un de l'autre.
- Connectez le moniteur à une prise différente de celle à laquelle le récepteur est connecté.
- Consultez votre revendeur local ou un technicien qualifié.

### **Avertissement de la FCC:**

Pour assurez une conformité continue au règlements de la FCC, l'utilisateur doit utiliser un cordon d'alimentation mis à terre et le câble d'interface vidéo protégé avec noyaux en ferrite, fourni avec l'appareil. Chaque modification ou changement non-autorisé appliqué à ce moniteur peut faire perdre à l'utilisateur sont droit d'opération de cet appareil.

**Note:** Si nécessaire, des câbles d'interface protégés et un cordon d'alimentation alternante doivent être utilisé pour être conforme aux limites d'émission.

### **Important Waste Disposal Information**

Please recycle or dispose of all electronic waste in accordance with local, state, and federal laws. Additional resources can be found online at <http://www.planar.com/about/green/>.

The crossed-out wheellie bin symbol is to notify consumers in areas subject to Waste Electrical and Electronic Equipment (WEEE) Directive 2012/19/EU that the product was placed on the market after August 13, 2005 and must not be disposed of with other waste. Separate collection and recycling of electronic waste at the time of disposal ensures that it is recycled in a manner that minimizes impacts to human health and the environment. For more information about the proper disposal of electronic waste, please contact your local authority, your household waste disposal service, or the seller from whom you purchased the product.



## Unpacking Instructions

- Move the LED Monitor out of the package and take off the plastic bag and Polystyrene Foam.
- Pull the base from Parallel versus Panel to Vertical.
- Adjust the Panel between -5° leaning forward and 20° leaning backward.

## Safety Precautions

Follow all warnings, precautions and maintenance as recommended in this user's manual to maximize the life of your unit.

### **Do:**

- Turn off the product before cleaning.
- Touch screen surface may be cleaned using a soft clean cloth moistened with mild window glass commercial cleaners or 50/50 mixture of water and isopropyl alcohol.
- Use a soft cloth moistened with mild detergent to clean the display housing.
- Disconnect the power plug from AC outlet if the product is not going to be used for an extended period of time.

### **Don't:**

- Do not touch the LED Display screen surface with sharp or hard objects.
- Do not use abrasive cleaners, waxes or solvents for your cleaning.
- Do not operate the product under the following conditions:
  - Over 16 hours per day.
  - Extremely hot, cold or humid environment.
  - Areas susceptible to excessive dust and dirt.
  - Near any appliance generating a strong magnetic field.
  - In direct sunlight.
- If smoke, abnormal noise or odor emits from your Touchscreen LED Monitor, remove the power cord immediately and call your service center.
- Never remove the rear cover of your Touchscreen LED Monitor. The display unit inside contains high-voltage parts and may cause electric shock.
- Never try to repair your Touchscreen LED Monitor yourself. Always call your service center or a qualified technician to fix it.
- Due to safety concerns, if the VESA mounting kit is purchased separately, please make sure the mounting kit is UL-listed, and replaceable only by service personnel.

## Consignes de sécurité

Respectez tous les avertissements, les précautions et conseils d'entretien recommandés dans ce manuel de l'utilisateur pour maximiser la durée de vie de votre appareil.

### **A faire :**

- Éteindre le produit avant de le nettoyer.
- La surface de l'écran tactile peut être nettoyée avec un chiffon doux et propre imprégné d'un nettoyant doux du commerce pour vitres ou d'un mélange à 50/50 d'alcool isopropylique et d'eau.
- Utilisez un chiffon doux imprégné d'un détergeant doux pour nettoyer le carter de l'affichage.
- Débranchez la fiche d'alimentation de la prise de courant secteur si le produit ne doit pas être utilisé pendant une période prolongée.

### **A ne pas faire :**

- Ne touchez pas la surface de l'écran LED avec des objets coupants ou durs.
- N'utilisez pas des produits de nettoyage abrasifs, de la cire ou des solvants pour le nettoyage.
- N'utilisez pas le produit dans les conditions suivantes :
  - Plus de 16 heures par jour.
  - Environnement extrêmement chaud, froid ou humide.
  - Endroits poussiéreux ou sales.
  - Près d'appareils générant un fort champ magnétique.
  - Sous la lumière directe du soleil.
- Si de la fumée, un bruit anormal ou une odeur s'échappait de votre moniteur LCD LED, débranchez immédiatement le cordon d'alimentation et appelez votre centre de réparation.
- Ne retirez jamais le couvercle arrière de votre moniteur LCD LED. L'unité d'affichage contient des éléments où circule un voltage élevé et présentant un risque d'électrocution.
- N'essayez jamais de réparer vous-même votre moniteur LCD LED. Faites toujours appel à votre centre de service ou à un technicien qualifié pour toute réparation.
- Pour des raisons de sécurité, si vous achetez séparément le kit de fixation VESA, assurez-vous que celui-ci est certifié UL, et qu'il peut être remplacé uniquement par un technicien qualifié.

## First Setup

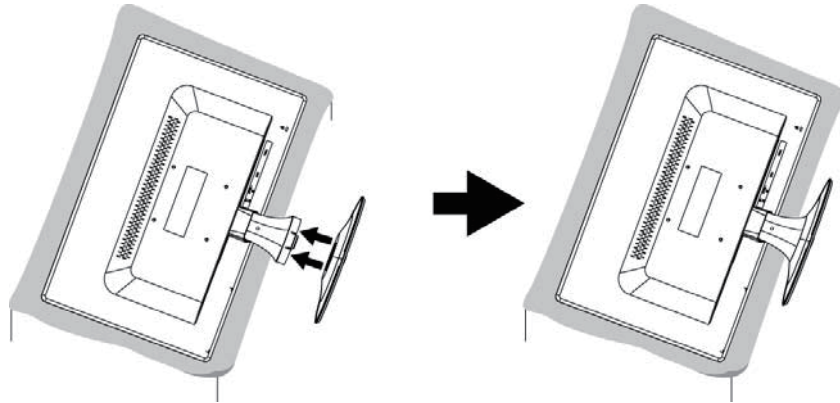
Congratulations on your purchase of this high performance LED LCD Monitor.

This LED LCD Monitor comes with the following accessories :

- |   |  |
|---|--|
| <input checked="" type="checkbox"/> LED LCD Monitor   | <input checked="" type="checkbox"/> Audio Cable        |
| <input checked="" type="checkbox"/> Power Cable   | <input checked="" type="checkbox"/> User's Guide       |
| <input checked="" type="checkbox"/> VGA Cable (15 pin)                                      | <input checked="" type="checkbox"/> Base               |
| <input checked="" type="checkbox"/> AC/DC Power Adapter (AC 100~240V Input / DC 12V Output) | <input checked="" type="checkbox"/> DVI Cable (24 pin) |

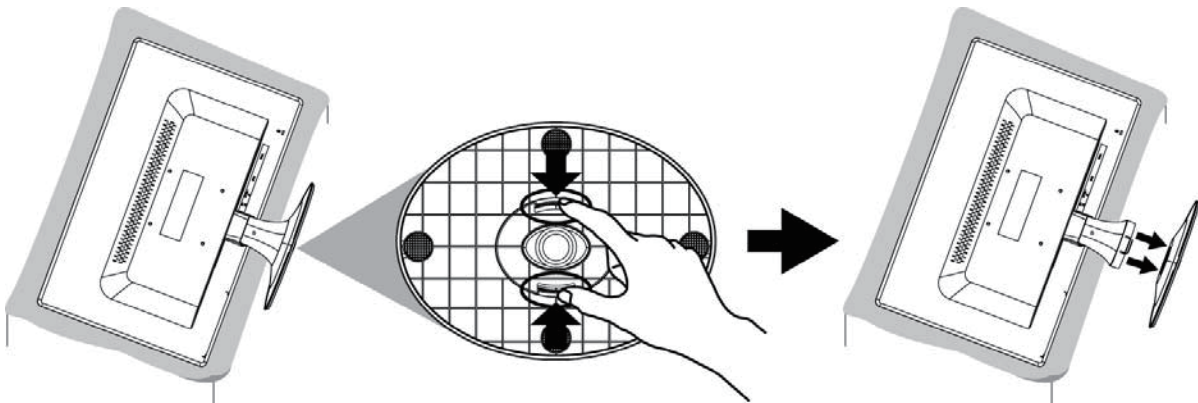
### Install the stand base

1. Lay the LED LCD Monitor flat on a table with the LED screen face down. To prevent the monitor from being scratched, put a piece of soft cloth on the table on which the screen will be set.
2. Unpack the base, one hand hold the monitor, the other hand attach the base to the stand.
3. Stand the LED LCD Monitor up.

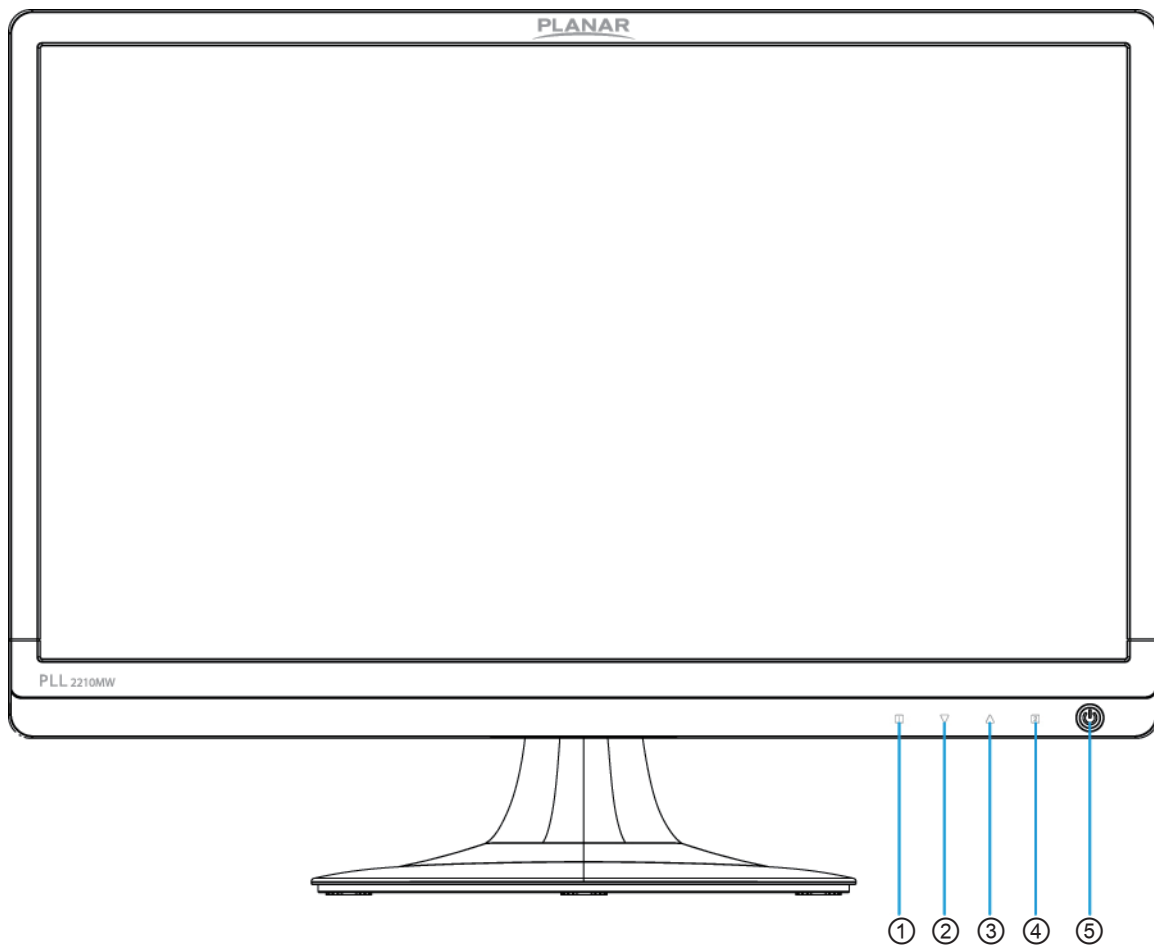


### Disconnecting the stand base

1. Lay the LED LCD Monitor flat on a table with the LED screen face down. To prevent the LED LCD Monitor from being scratched, put a piece of soft cloth on the table on which the screen will be set.
2. Hold the monitor down with one hand. With the other hand, use two fingers to press the hooks down as directed below.
3. Remove the base from the stand.



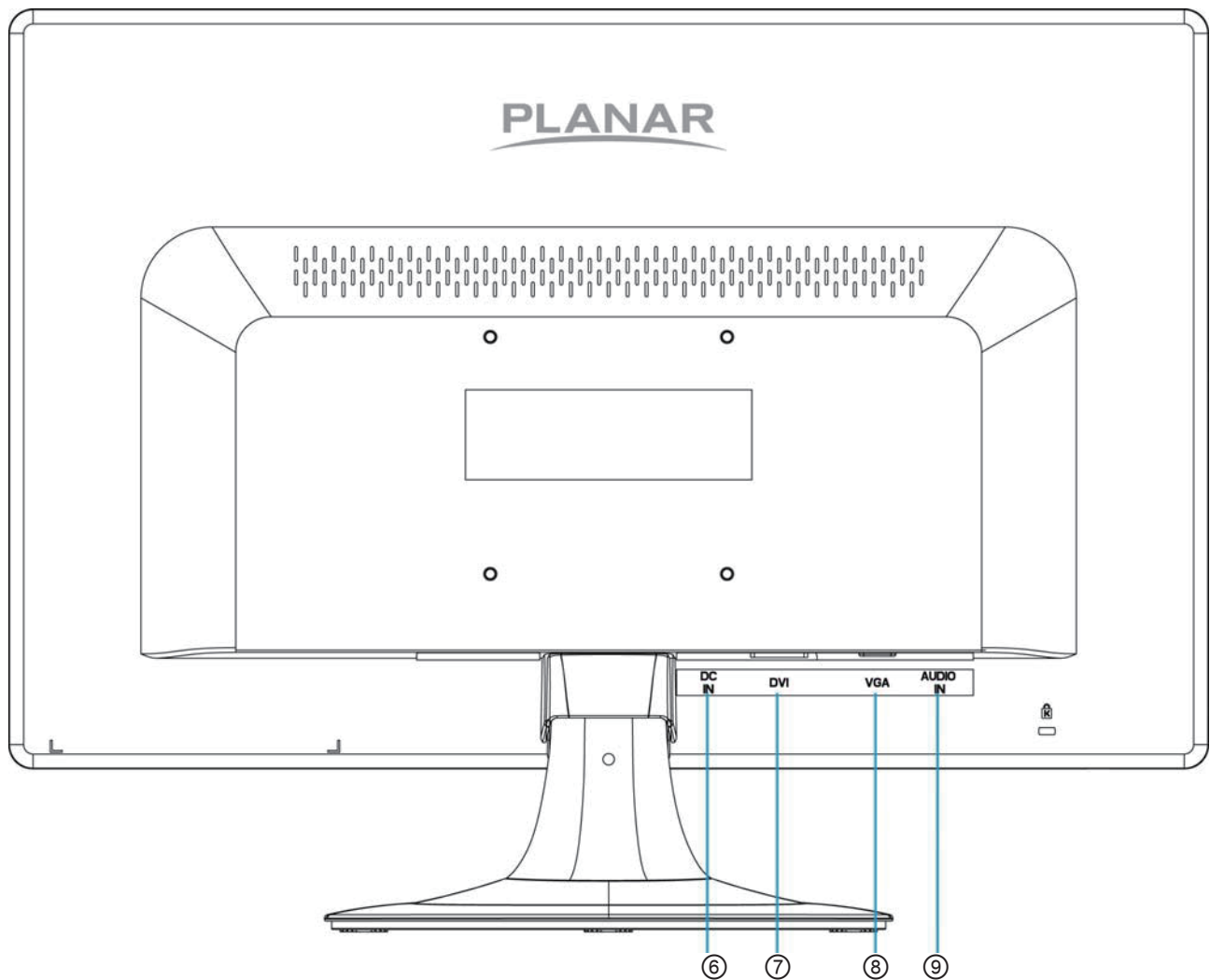
## Front View of the Product



①	OSD Turn On/ Off
②	Brightness / Scroll Down/ Adjust Decrease
③	Blue Light / Scroll UP/ Adjust Increase
④	Input select/ Confirm Selection
⑤	Power On/Off / LED Indicator



## Rear View of the Product

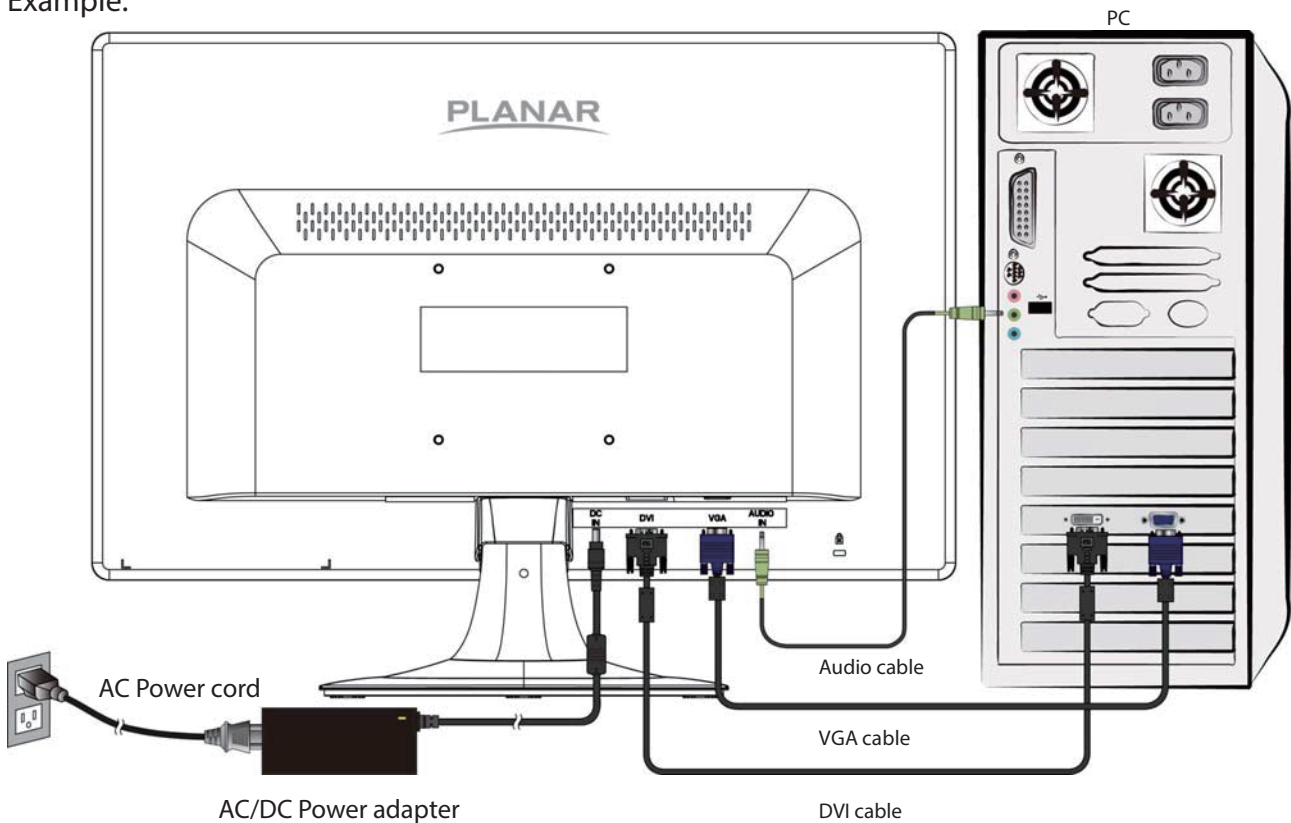


⑥	Power input (+12V DC in)
⑦	DVI Input (DVI 24 pin)
⑧	VGA Input (D-Sub 15 pin)
⑨	Audio Input

## Quick Installation

1. Connect either VGA or DVI Video Source from the monitor to the computer. Make sure both monitor and computer are powered OFF.
2. Connect the audio cable from audio output of computer to the audio input of the monitor.
3. Connect the AC power cord to the AC/DC power adapter, then to the monitor.
4. Power-ON computer and then POWER-ON the monitor.
5. Set the timing mode on your computer. Recommended resolution and refresh rate is 1920 x 1080 @ 60Hz.

Example:



## Basic Operation

Before using the LED LCD Monitor:

Connect external equipments properly.

Insert the power plug, and the power LED indicator will light orange.

### Power On/Off

To turn the LED LCD Monitor on/off:

Press **POWER** button on the front of LED LCD Monitor. The power LED indicator lights blue when the LED LCD Monitor is on.

### Using the OSD Menu

You are able to use OSD menus to adjust various settings by using menu button on the front of the LED LCD Monitor.

The basic operation is as following:

1	Displays main menu
	Exits from OSD menu
2	Confirm the selection
	Selects between VGA, DVI or Auto mode
▼	Select the desired item when in OSD menu
	When not in OSD menu, directly enters Brightness menu, press 3 seconds enters Auto Image Adjust
▲	Select the desired item when in OSD menu
	When not in OSD menu, directly toggles Blue Light. (OFF, Video, Web Browsing, Reading, Low Light)
▼ + ▲	Recalls both Contrast and Brightness (when not in OSD menu)

### OSD Lock Out Function

When LED LCD Monitor is in normal display, you can enable the "OSD Lock Out" function.

**Option 1:** OSD lock – all 4 buttons are locked except the "POWER" button.


Press and hold the 1 button and the ▲ button for 3 seconds to lock the OSD buttons.

The LED LCD Monitor will show an "OSD Lock Out" message for 3 seconds and the message will disappear automatically.



OSD Lock out

Repeat this step to unlock.

**Option 2:** OSD & Power button lock – all 5 buttons including the “POWER” button are locked. Press and hold the  button and the ▼ button for 3 seconds to lock all 5 buttons.

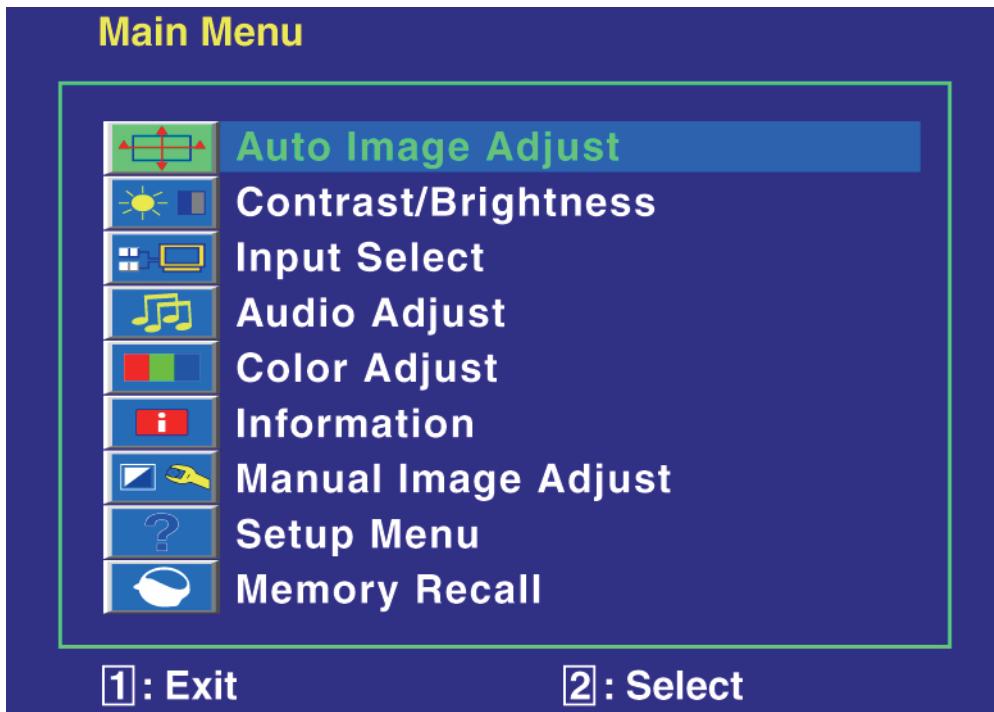
The LED LCD Monitor will show an “Lock Out” message for 3 seconds and the message will disappear automatically.



Repeat this step to unlock.

## Advanced Operation—OSD Menu

You can use the OSD menu to adjust various settings for your LED LCD Monitor. Press the **1** button to display the OSD Menu, and use **▲ ▼** to select the desired OSD menu.



### Short Cuts Function from the button(s)



**Auto Image Adjust:** To auto adjust Horizontal Position, Vertical Position, Phase (Fine Tune) and Clock (H. Size) of the screen.



**Contrast:** To adjust the foreground white level of screen image.  
**▲:** increase contrast, **▼:** decrease contrast.



**Brightness:** To adjust the luminance of the video.  
**▲:** increase brightness, **▼:** decrease brightness.

**ECO Mode:** Allows the user to turn the ECO On or Off. Contrast and Brightness adjustment disabled when ECO is active.



**Input Select:** When press Input Select change Input signal to VGA, DVI or Auto.



**Audio Adjust:** To adjust the audio functions.  
**Volume:** To adjust the volume of speaker output.  
**Mute:** To turn the Mute ON/OFF.



**Color Adjust:** To select the color for improving brightness and color saturation between 9300K, 6500K, 5400K, and User Color.

**9300K:** Adds blue to screen image for cooler white.

**6500K:** Adds red to screen image for warmer white and richer red.

**5400K:** Adds green to screen image for a darker color.

**User Color:** Individual adjustments for red (R), green (G), blue (B).

1. Press button **2** to select the desired color.

2. Press **▼** or **▲** button to adjust selected color.

**Blue Light Reducer:** To decrease the blue light emitted from the display to reduce the risk of blue light exposure to your eyes. (Contrast, Color Temperature-9300K, 6500K, 5400K, User Color and Preset Mode adjustment will be disabled when Blue Light Reducer is active.)

Press **▲** or **▼** key to adjust the Blue Light Reducer strength.

- Video – Ideal for watching videos (15% reduction)

- Web Browsing – Ideal for web browsing (30% reduction)

- Reading – Ideal for reading (50% reduction)

- Low Light – Ideal for low ambient lighting environments (70% reduction)



**Information:** To display the information, regarding the current input signal coming from the graphic card in your computer.

**Note:** See your graphic card user guide for more information about changing the resolution and refresh rate.



**Manual Image Adjust:** To manually adjust the Horizontal Size, H. /V. position, Fine Tune, Sharpness, Video Mode adjust and Preset Mode.



**Horizontal Size:** To adjust the width of the screen image.

**▼:** decrease the width of screen image, **▲:** increase the width of screen image.



**H./V. Position:** To adjust the horizontal and vertical position of the video.

**H. Position:** **▲:** move screen to the right, **▼:** move screen to the left.

**V. Position:** **▲:** move screen up, **▼:** move screen down.



**Fine Tune:** To adjust the delay time of data and clock.

Press **▼** or **▲** to adjust to your preference.



**Sharpness:** To adjust the clarity of a non-Full HD Resolution (1920x1080) signal with **▼** or **▲** button.



**Video Mode adjust:** To select the video mode from Full Screen or Aspect Ratio.

**Full Screen:** To select full-screen size image.

**Aspect Ratio:** To select input timing image size.



**Preset Mode:** Provides an optimum display environment depending on the contents displayed. It contains 5 user-selectable presets.

**Standard** is for general windows environment and monitor default setting.

**Game** optimized for PC game environment.

**Cinema** optimized for movie and video environment.

**Scenery** optimized for displaying outdoor scenery images.

**Text** optimized for text editing and viewing in a word processing environment.



**Setup Menu:** To set up Language, OSD Position, OSD Time Out and OSD Background.



**Language Select:** To allow users to choose from available languages.



**OSD Position:** Press ▼ or ▲ button to select between horizontal and vertical OSD Position adjustment.

**H. Position:** To horizontally adjust the OSD position.

▲: move OSD to the right, ▼: move OSD to the left.

**V. Position:** To vertically adjust the OSD position.

▲: move OSD up, ▼: move OSD down.



**OSD Time Out:** To automatically turn off On Screen Display (OSD) after a preset period of time.



**OSD Background:** Allows the user to turn the OSD background On or Off.



**Memory Recall:** To recall factory settings for Video & Audio controls.

Press button **2** to select the Memory Recall menu option.

## Supporting Timing Modes

STANDARD	RESOLUTION
VGA	720 x 400 @ 70Hz
VGA	640 x 480 @ 60Hz
MAC	640 x 480 @ 67Hz
VESA	640 x 480 @ 72Hz
VESA	640 x 480 @ 75Hz
VESA	800 x 600 @ 56Hz
VESA	800 x 600 @ 60Hz
VESA	800 x 600 @ 72Hz
VESA	800 x 600 @ 75Hz
MAC	832 x 624 @ 75Hz
VESA	1024 x 768 @ 60Hz
VESA	1024 x 768 @ 70Hz
VESA	1024 x 768 @ 75Hz
VESA	1152 x 864 @ 75Hz
MAC	1152 x 870 @ 75Hz
VESA	1280 x 1024 @ 60Hz
VESA	1280 x 1024 @ 75Hz
VESA	1440 x 900 @ 60Hz
CVT	1400 x 1050 @ 60Hz
VESA	1600 x 900 @ 60Hz
VESA	1600 x 1200 @ 60Hz
VESA	1680 x 1050 @ 60Hz
VESA	1920 x 1080 @ 60Hz


**Note:**DVI supports 480i, 480p, 576i, 576p, 720p, 1080i, and 1080p.

**Warning:** Do not set the graphic card in your computer to exceed these maximum refresh rates. Doing so may result in permanent damage to your monitor.

**Avertissement :** Ne réglez pas la carte graphique de votre ordinateur en dépassant ces taux de rafraîchissement maximaux. Si vous le faites, cela va irrémédiablement détériorer votre moniteur.



## Technical Information

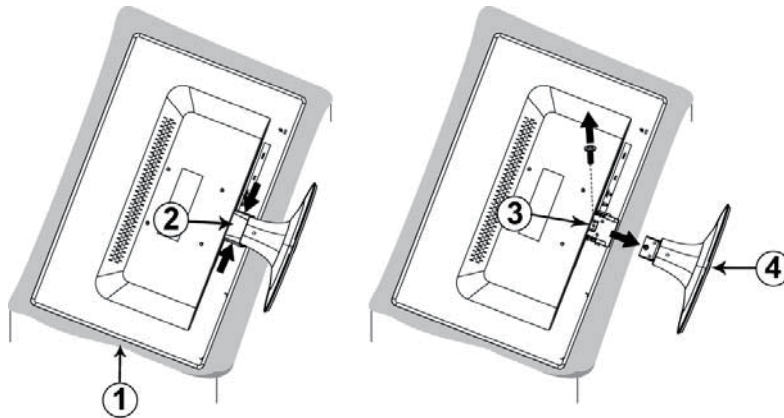
<b>Panel</b>	21.5" TFT (with LED backlight)
<b>Power Management</b>	On: 25 Watts (typical), 35 Watts (maximum) Standby Mode: < 0.5 Watt Off: < 0.5 Watt
<b>Displayable Resolution</b>	Full HD 1920 x 1080 max. Vertical Frequency 60Hz max.
<b>Pixel Dimension</b>	0.24825 x 0.24825 mm
<b>Display Color</b>	16.7M
<b>Tilt</b>	-5° (+/-2) ~ 20° (+/-2)
<b>Active Display Area</b>	476.64 mm x 268.11 mm
<b>Temperature</b>	Operating: 0°C ~ +40°C Storage: -20°C ~ + 60°C
<b>Compliance</b>	FCC-B, CE, UL,cUL,WEEE
<b>Power</b>	Input Voltage DC +12V  3.0A , HOIOTO, ADS-45NP 12 1 12036G
<b>Speaker</b>	1W x 2

## Wall-mount instruction

### Preparing To Install The Optional Wall Mount Arm (not included)

This LED LCD Monitor can be attached to a wall mounting arm you can purchase separately. Turn the power OFF then disconnect the cables from the LED LCD Monitor before performing the procedure below.

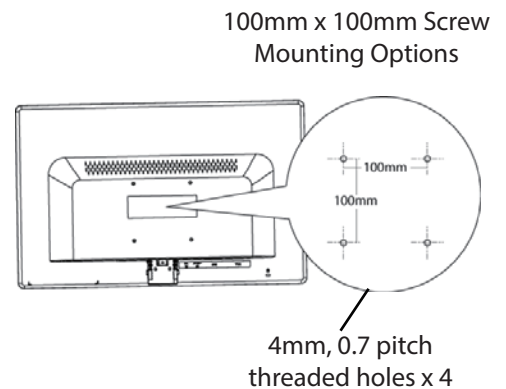
1. Lay the LED LCD Monitor face down on a soft surface.
2. Remove the hinge cover.
3. Remove the one screw holding the stand to the hinge.
4. Remove the stand.



### Attaching The Optional Wall Mount Arm (not supplied)

Follow these steps to finish installing the wall mounting arm:

1. Place the wall mounting arm onto the back of the LED LCD Monitor. Line up the holes of the arm with the holes in the back of the monitor.
2. Insert the 4 screws into the holes and tighten.
3. Reconnect the cables. Refer to the User's Guide that came with the optional wall mounting arm for instructions on attaching it to the wall.



### NOTE

- ☒ 100mmx100mm VESA high hole (n=4), M4, pitch =0.7 mm screw mounting kit not included.

## Care and Maintenance

### Care

- Avoid exposing your LED LCD Monitor directly to sunlight or other heat source. Place your LED LCD Monitor away from the sun to reduce glare.
- Put your LED LCD Monitor in a well ventilated area.
- Do not place any heavy things on top of your LED LCD Monitor.
- Make certain your LED LCD Monitor is installed in a clean and moisture-free area.
- Keep your LED LCD Monitor away from magnets, motors, transformers, speakers, and TV sets.

### Note

- Move the LED out of the package and take off the plastic bag and Polystyrene Foam.
- Pull the base from Parallel versus Panel to Vertical.
- Adjust the Panel within  $-5(\pm 2)$  degree leaning forward and  $20(\pm 2)$  degree leaning backward.

### Safety Tips

- If smoke, abnormal noise or odor came out from your LED LCD Monitor, caution you should remove the power cord immediately and call your service center.
- Si de la fumée, un bruit anormal ou une odeur s'échappait de votre moniteur, débranchez immédiatement le cordon d'alimentation et appelez votre centre de service.
- Never remove the rear cover of your LED LCD Monitor cabinet. The display unit inside contains high-voltage parts and may cause electric shock to human bodies.
- Never try to repair your LED LCD Monitor yourself. Always call your service center or a qualified technician to fix it.

## Troubleshooting

### No power

- Make sure A/C power cord is securely connected to the power adapter and the power supply is firmly connected to the LED LCD Monitor.
- Plug another electrical device into the power outlet to verify that the outlet is supplying proper voltage.
- Make sure all signal cables are installed.

### Power on but no screen image

- Make sure the video cable supplied with the LED LCD Monitor is tightly secured to the video output port on back of the computer. If not, tightly secure it.
- Adjust brightness.

### Wrong or abnormal colors

- If any colors (red, green, blue) are missing, check the video cable to make sure it is securely connected. Loose or broken pins in the cable connector could cause an improper connection.
- Connect the LED LCD Monitor to another computer.

## **Planar Support**

### **Cables and Accessories**

To find cables and accessories for your Planar monitor, touch screen or other Planar products visit our online store at [www.PlanarOnline.com](http://www.PlanarOnline.com).

### **Technical Support**

Visit Planar at <http://www.planar.com/support> for operations manuals, touchscreen drivers, warranty information and access to Planar's Technical Library for online trouble shooting. To speak with Planar Customer Support please have your model and serial number available and dial:

### **Planar Support**

Tel: 1-866-PLANAR1 (866-752-6271) or +1 503-748-5799 outside the US.

Hours: 24 hours a day, 7 days a week.

Toll or long distance charges may apply.

## **Planar Systems, Inc.**

Customer Service

24x7 Online Technical Support: <http://www.planar.com/support>

1195 NE Compton Drive

Hillsboro, OR 97006

Tel: 1-866-PLANAR1(866-752-6271), or+1 503-748-5799 outside the United States,

Hours: 24 hours a day, 7 days a week

© 03/2020 Planar Systems, Inc.

Planar is a registered trademark of Planar Systems, Inc. Other brands and names are the property of their respective owners. Technical information in this document is subject to change without notice.



90101-24480