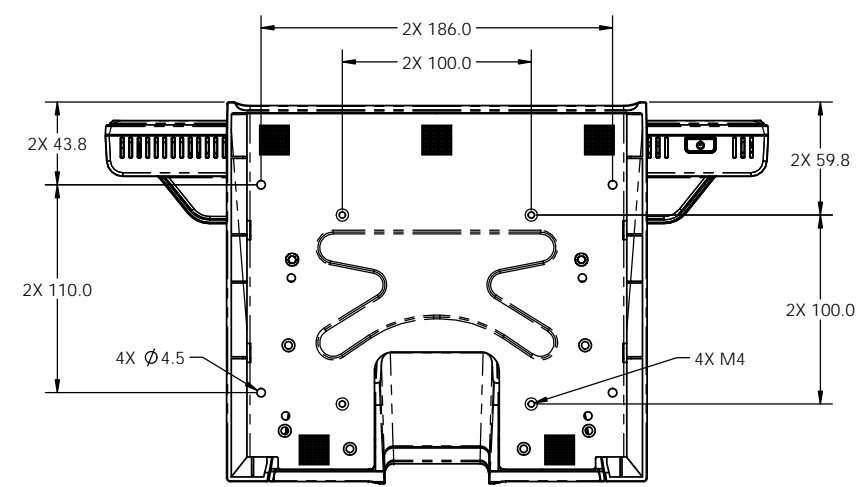
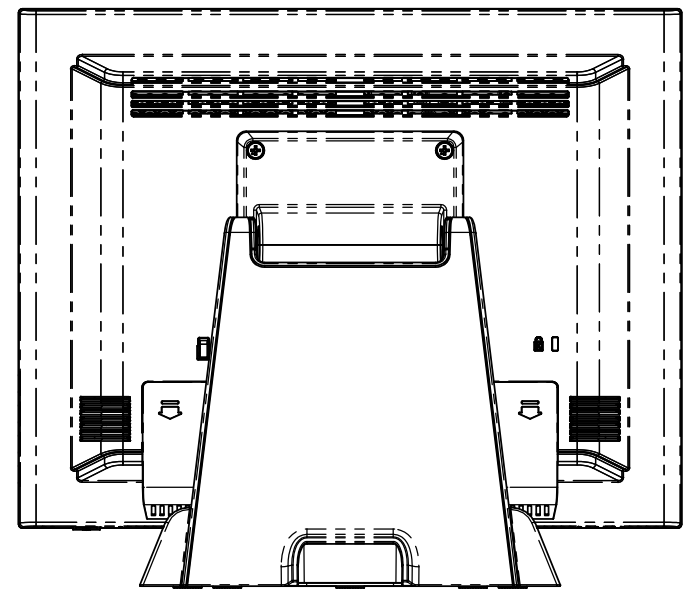
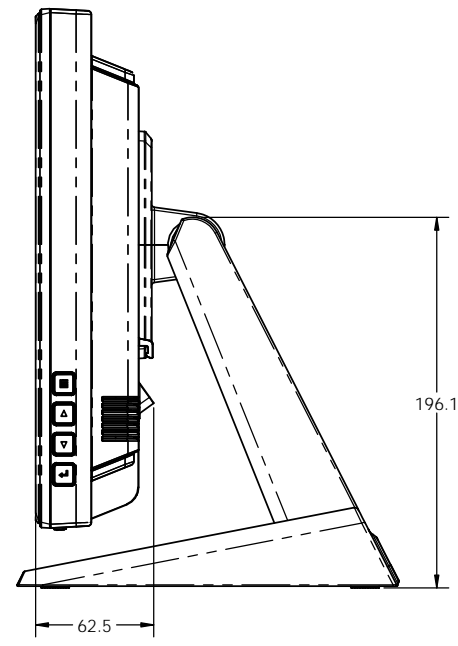
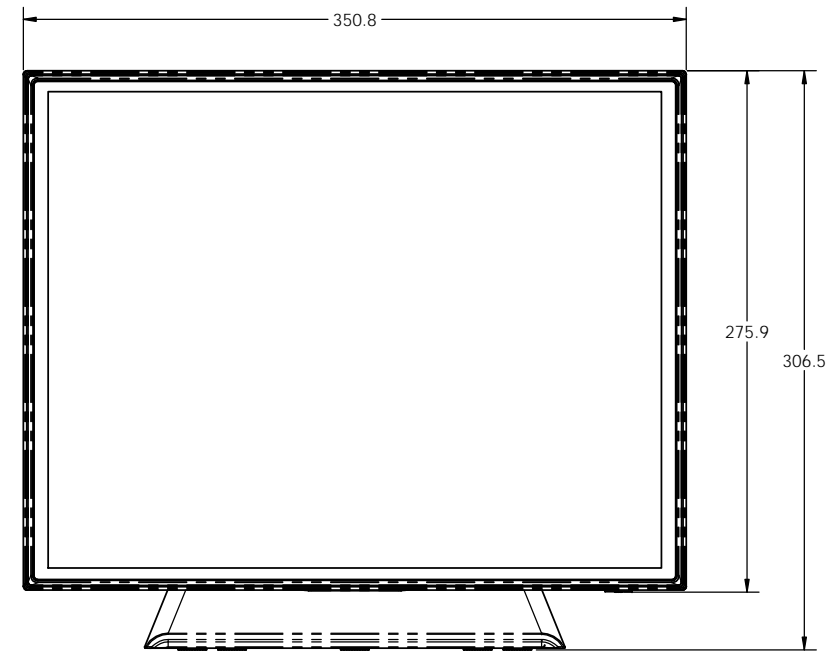
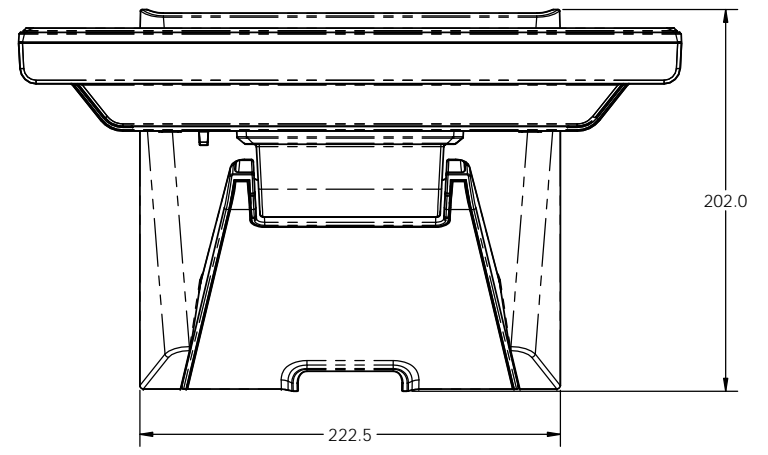
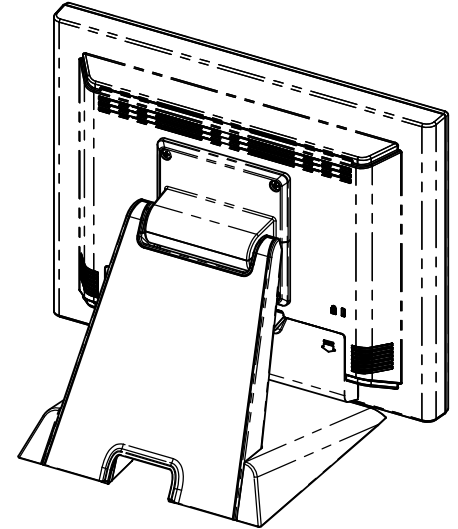
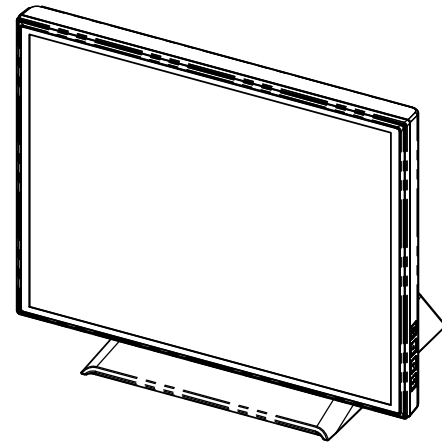


REVISIONS					
ECO	ZONE	REV.	DESCRIPTION	DATE	APPROVED
1005237		A	INITIAL RELEASE.	12/05/13	RD



THIS DRAWING CONTAINS INFORMATION PROPRIETARY TO PLANAR SYSTEMS, INC. ANY REPRODUCTION IN PART OR WHOLE WITHOUT THE WRITTEN PERMISSION OF PLANAR SYSTEMS IS PROHIBITED. THIS DRAWING IS SUPPLIED FOR INFORMATION, IDENTIFICATION, ENGINEERING, EVALUATION, AND/OR INSPECTION PURPOSES ONLY AND MAY NOT BE USED AS BASIS FOR THE MANUFACTURE OF PRODUCTS OR THE FURNISHING OF SERVICES TO PLANAR SYSTEMS OR TO ANY THIRD PARTY UNLESS AUTHORIZED IN WRITING BY PLANAR SYSTEMS.

UNLESS OTHERWISE SPECIFIED, DIMENSIONS ARE IN MILLIMETERS.		TOLERANCES - UNLESS OTHERWISE SPECIFIED		DRAWN BY: R.DAVENPORT		11/23/13		 PLANAR SYSTEMS, INC. 1195 NW COMPTON DRIVE BEAVERTON, OR 97006 USA	
X= ±1	XX= ±25	CHECKED BY:		USED ON: PT1545		TITLE: DWG. SPEC. MECH OUTLINE, PT1545X		PART NUMBER: 997-5967-00	
X= ±5	ANGLES= ±1°	DIMENSIONING AND TOLERANCING PER ASME Y14.5M-1994		MATERIAL:		REV: A		DRAWING NUMBER: 076-0767-00	
THIRD ANGLE PROJECTION		FINISH:		SCALE: 1:2		DO NOT SCALE		SHEET: 1 OF 1	